

Watch Movement Specification and Drawing

STANDARD

# Cal. Y127E

Movement Size

**6 3/4 × 8'''**

Casing Diameter

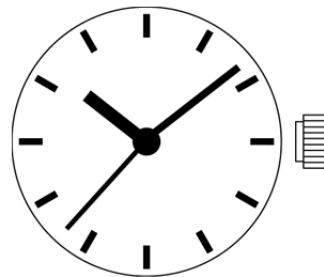
**15.3 × 17.8 mm**

Height

**2.99mm**

Battery Life

**1.5 years**



Date: 7/Apr./'17

# Cal. Y127E

Items	Rev.	Page
Specifications	03	1
Appearance	07	2
Casing	02	3
Hand fitting	05	4
Hand setting stem	05	5
Dial	02	6
Casing ring	02	7

Cal. <b>Y127E</b>	<b>Specifications</b>	Date : 20/Oct./'14
		Rev. : 03

**Analog Quartz 6 3/4 × 8''' Standard Series Movement / Three Hands (H/M/S)  
(High power torque)**

**1. MOVEMENT DIMENSIONS**

Outside diameter	15.30mm(3-9H) × 18.20mm(12-6H)
Casing diameter	15.30mm(3-9H) × 17.80mm(12-6H)
Total height	2.99mm

**2. TIME STANDARD**

Type of quartz oscillator	Tuning fork
Frequency of quartz oscillator	32,768 Hz
Accuracy	±20 seconds per month (on wrist)
Operating temperature range	-5°C to +50°C
Regulation device	Nil

**3. INDICATOR / FUNCTIONS**

3 Hands	Hour / Minute / Second (High power torque)
Reset switch	
Setting mechanism	Crown at normal position : Free Crown pulled out 1st click : Time setting / Reset

**4. FEATURES**

Jewels	0 Jewels
Anti-magnetism	Over 1600A/m (Direct current magnetic field)
Maximum unbalance of hands	Second hand : 0.06 μ N·m Minute hand : 0.6 μ N·m Hour hand : 0.5 μ N·m
Moment of Inertia	Second hand : less than 1.8 μ g·m <sup>2</sup> (Disc hand available)

**5. BATTERY**

Type / Size	Silver oxide battery / φ 6.8mm × t 2.6mm
Recommended battery	SR626SW (Maxell, Sony, Seizaiken)
Nominal voltage	1.55 V
Battery life	Approx. 1.5 years
Driving current consumption	Approx. 2.1 μ A
Operation stopping voltage	1.2 V

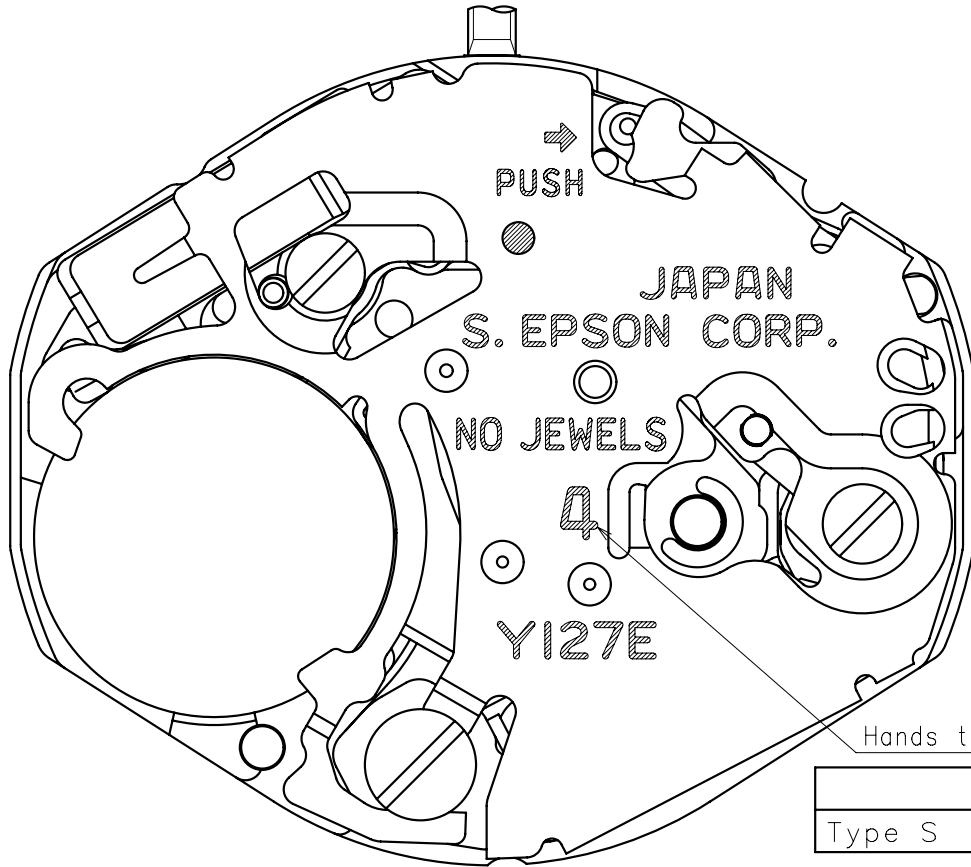
**6. SEPARATED PARTS (Parts code)**

Hand setting stem	0354788 or 0354787
Battery	SR626SW

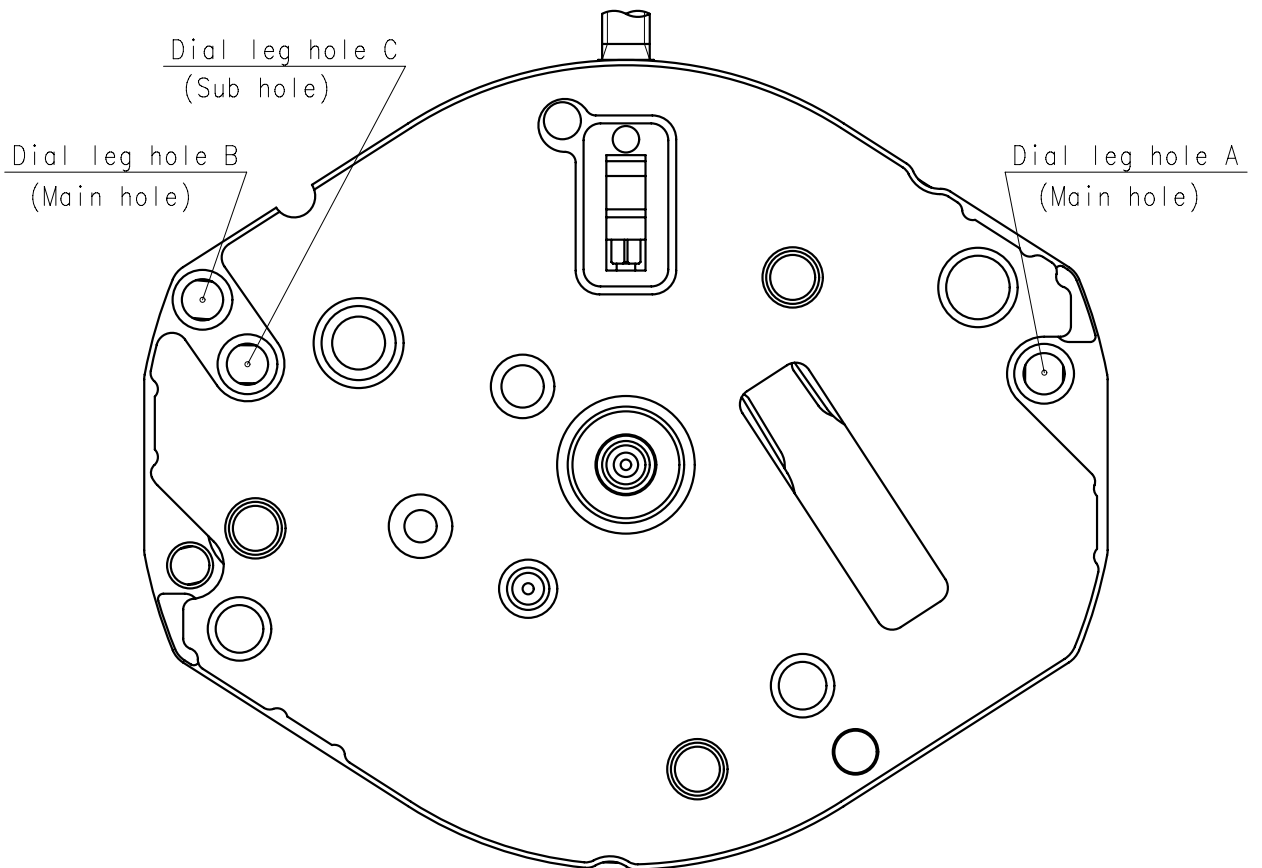
**7. TEST OF ACCURACY**

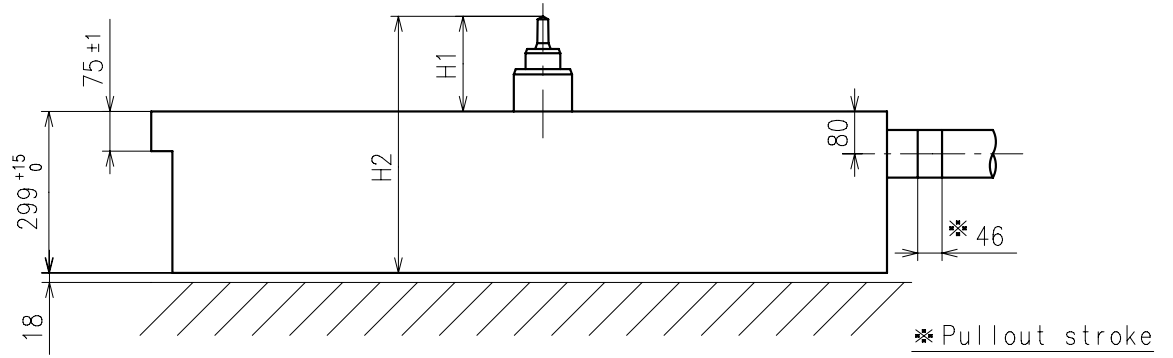
Equipment to be used	SEIKO quartz tester QT-99, Greiner quartz timer-C , Witschi Q-tester 4000
Duration of measurement	10 seconds
Microphone to be used	Electromagnetic detection type

All specifications are subject to change without notice.

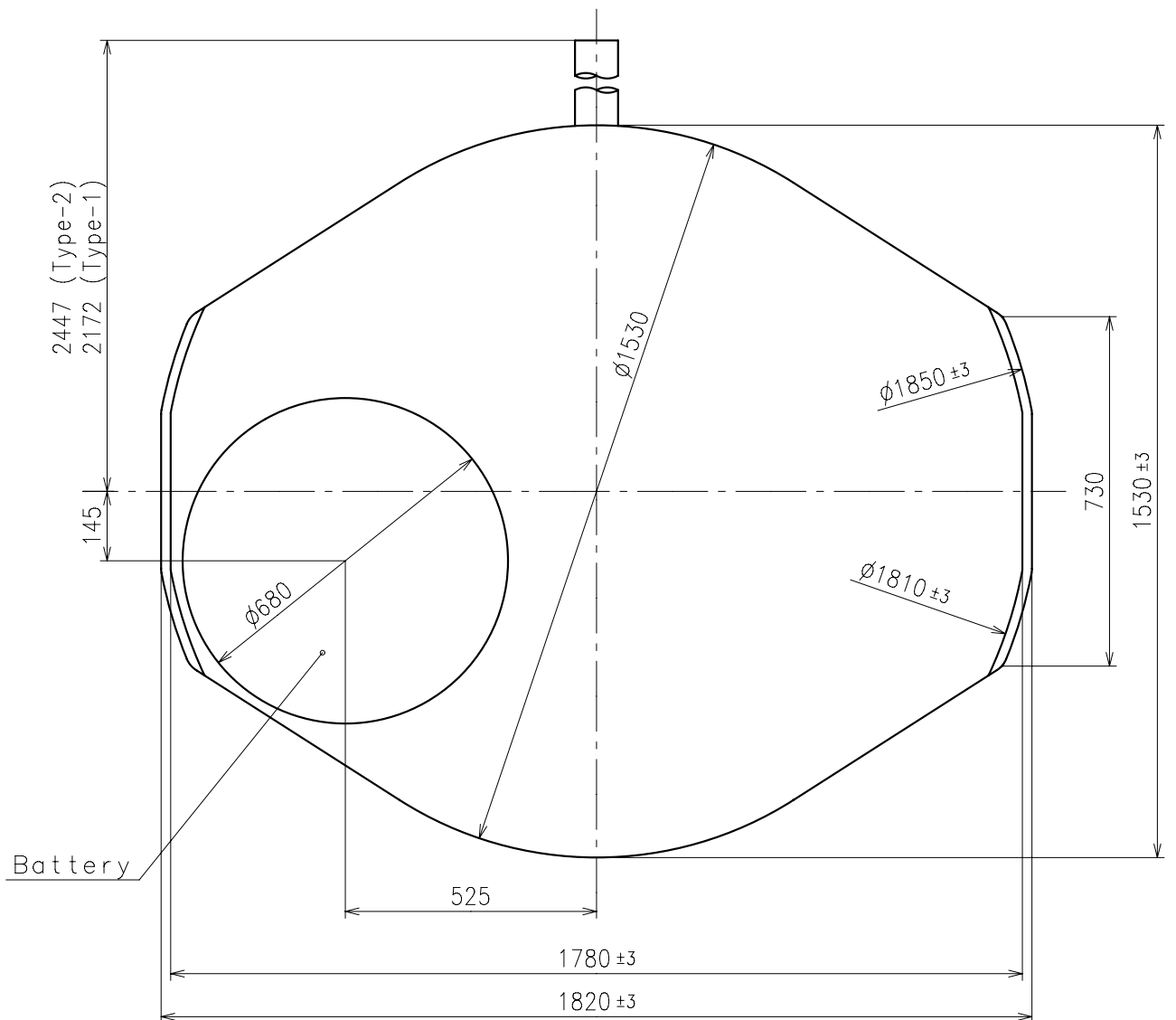


		Mark
Type S	(4)	4

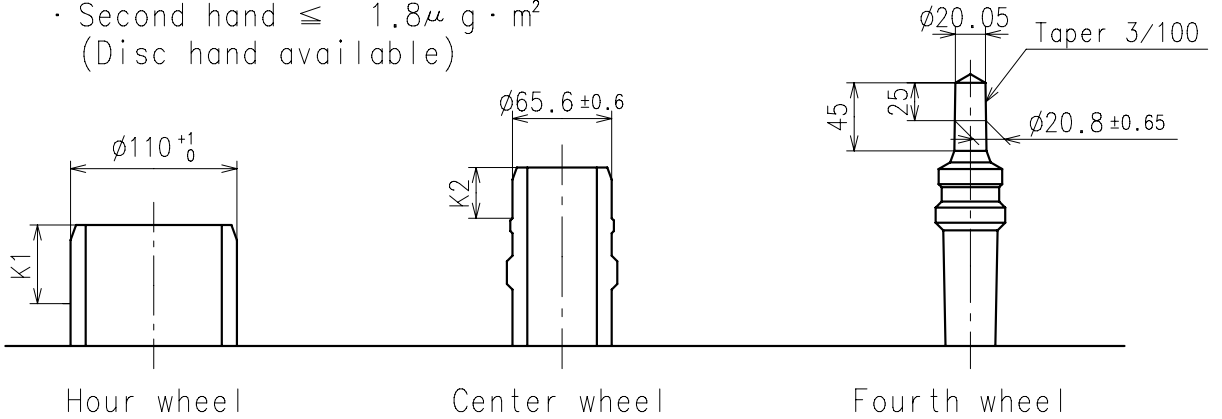




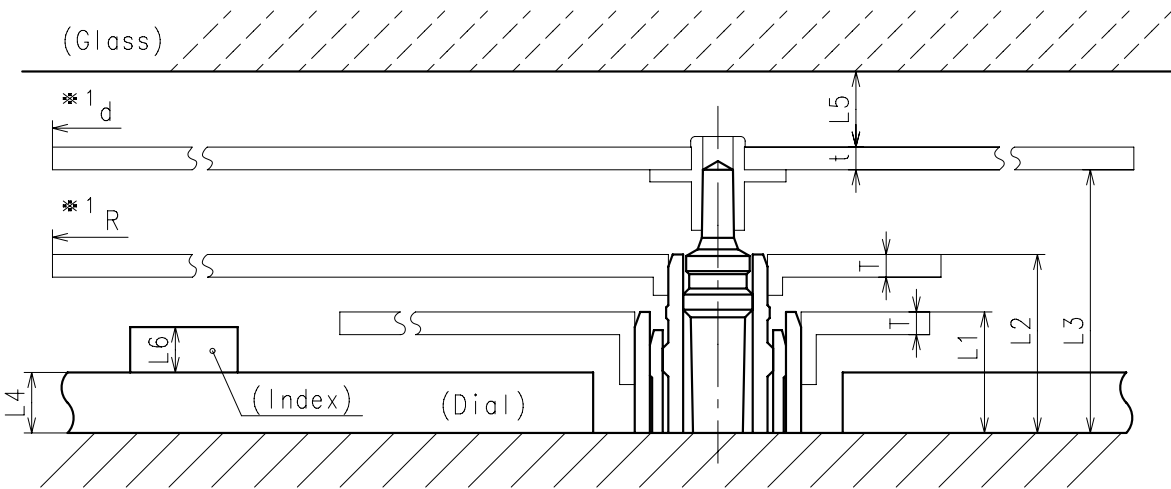
Center post		Type S (4) Y127E1
Maximum height from dial support	H1	174
Total height including movement	H2	473



- \* Unbalance
  - Second hand  $\leq 0.06\mu \text{ N} \cdot \text{m}$  ( $6\mu \text{ g} \cdot \text{m}$ )
  - Minute hand  $\leq 0.6\mu \text{ N} \cdot \text{m}$  ( $60\mu \text{ g} \cdot \text{m}$ )
  - Hour hand  $\leq 0.5\mu \text{ N} \cdot \text{m}$  ( $50\mu \text{ g} \cdot \text{m}$ )
- \* Moment of inertia
  - Second hand  $\leq 1.8\mu \text{ g} \cdot \text{m}^2$   
(Disc hand available)



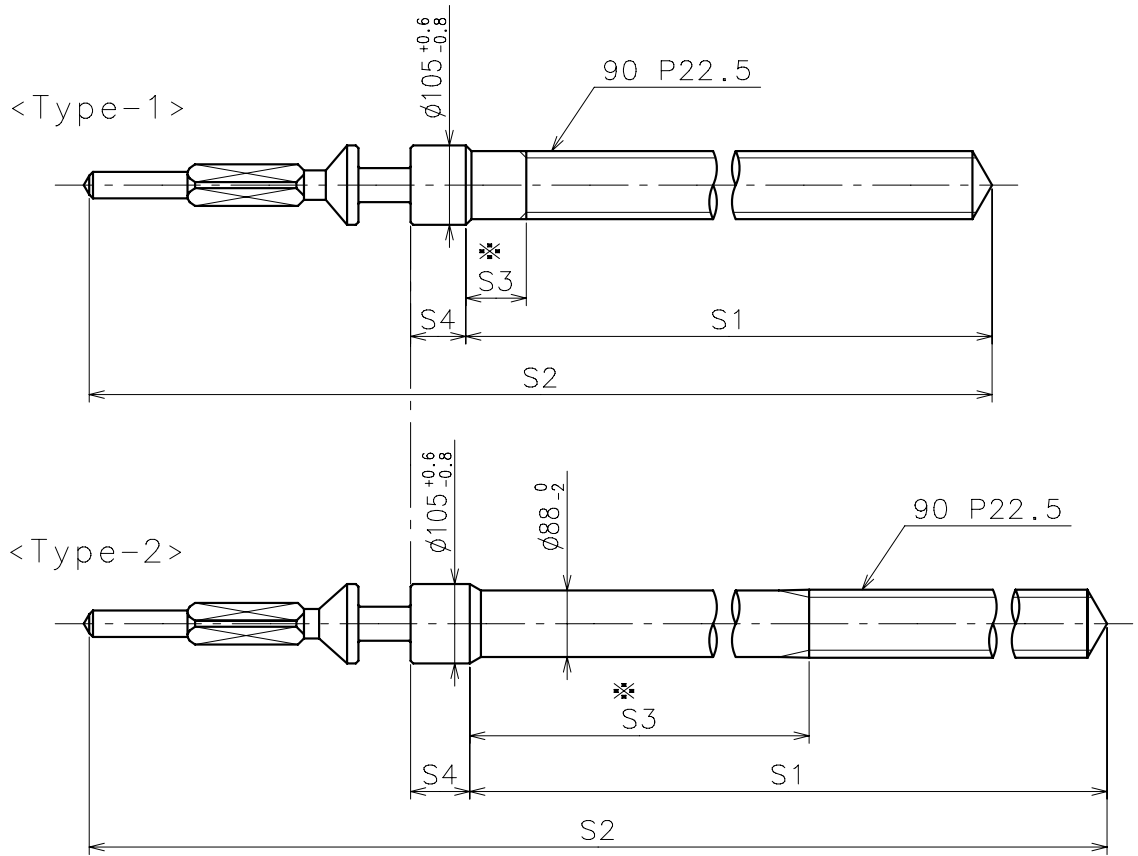
	Parts No.			Dimension	
	Hour wheel	Center wheel	Fourth wheel	K1	K2
Type S (4) Y127E1	0271796	0221797	0241763	52	33.5



	L1	L2	L3	L4	L5	L6	T	*1 R
Type S (4) Y127E1	80	118	174	40	MIN: 50	MAX: 30	15	MAX: 1250

Second disc hand	t	d
Material:polyester ( $\rho = 1.4\text{g}/\text{cm}^3$ )	12.5	MAX: $\phi 1800$
	19	MAX: $\phi 1600$

\*1:It is the size taken into consideration for hands attachment.  
Please observe some standard value specified in unbalance and moment of inertia when using long or disc hands.

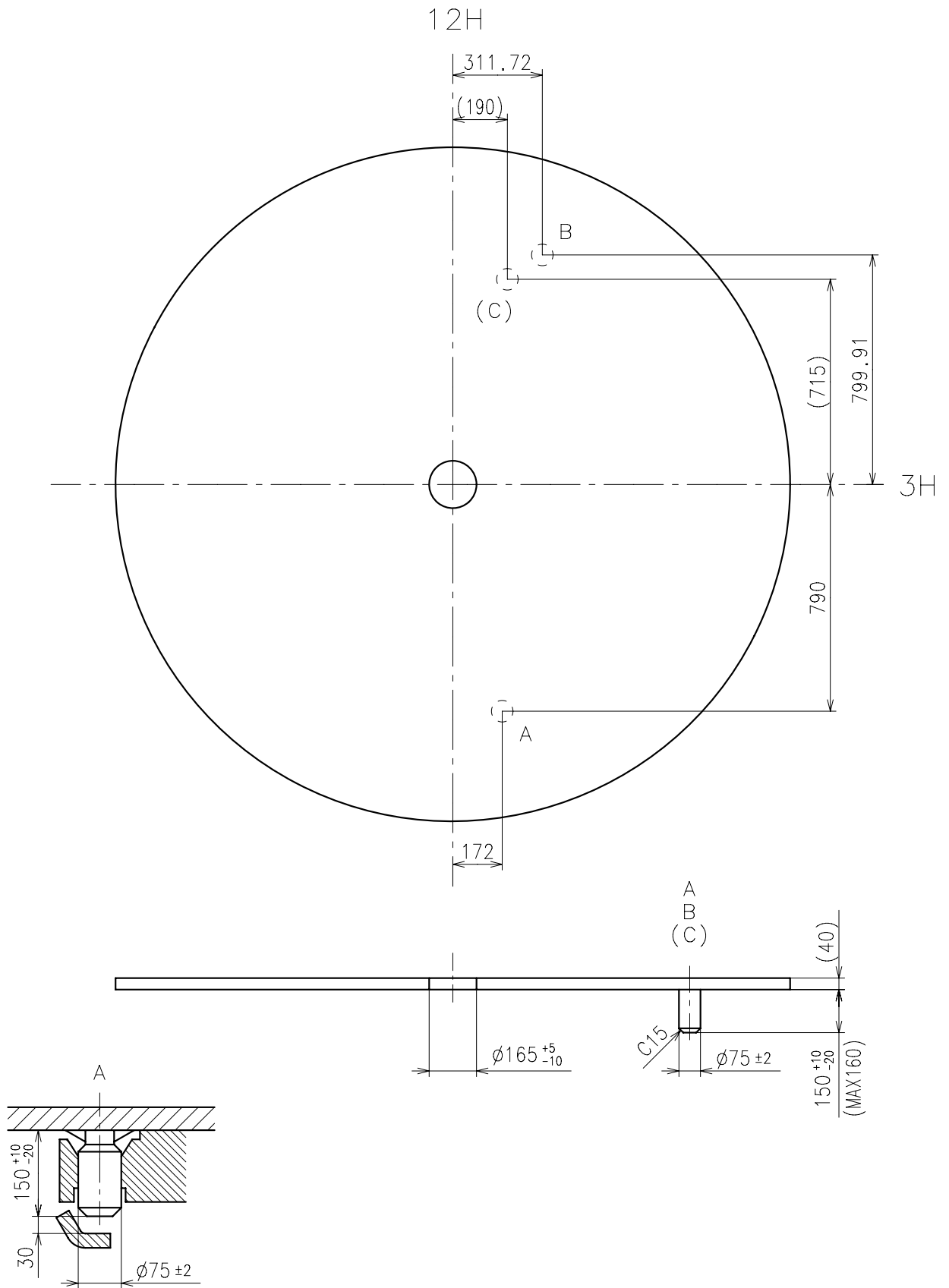


\* Not threaded

	Part No.	S1	S2	* S3	S4
Type-1 (Standard)	0354788	1473	1971	80	73
Type-2	0354787	1743	2246	887	78

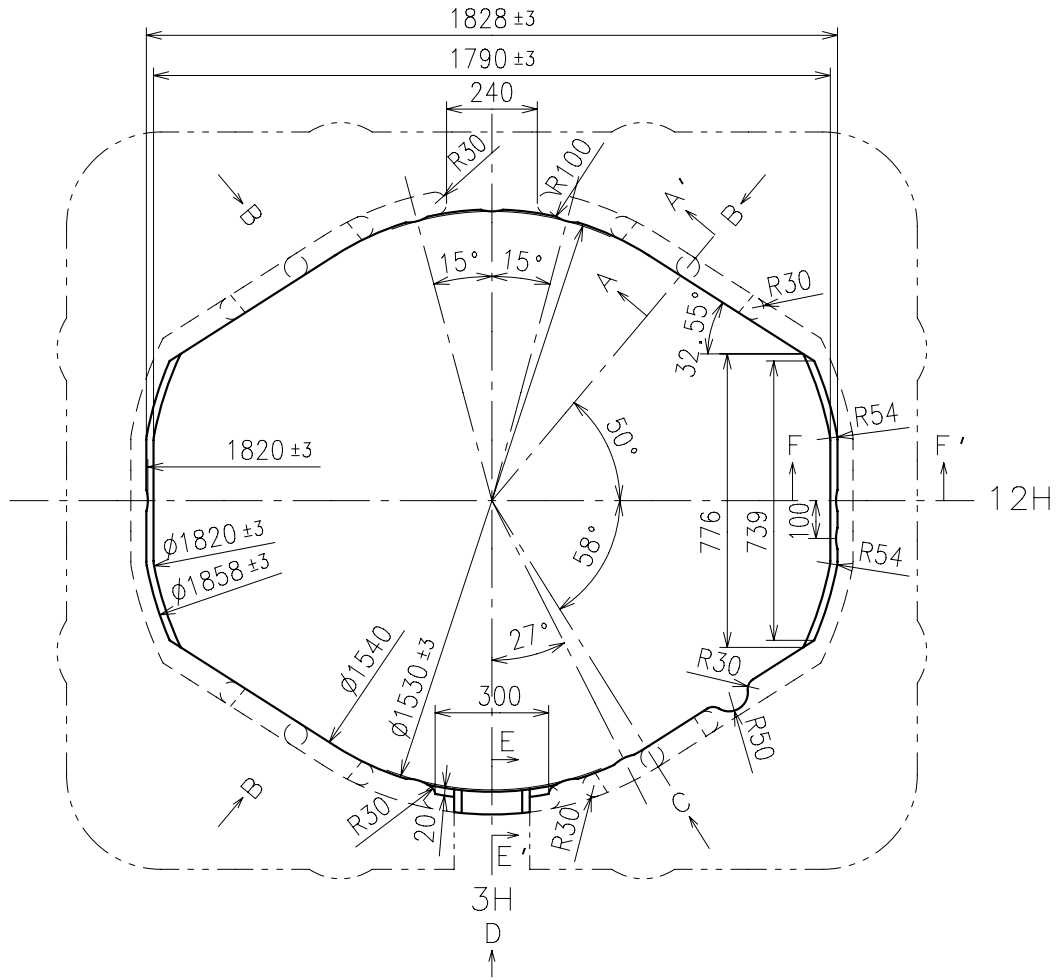
Material : Steel

Hardness : Vickers 530±50



Use dial leg A-B(Main) or A-C(Sub)



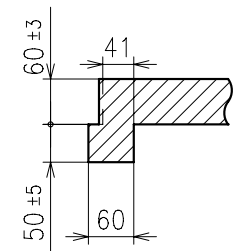
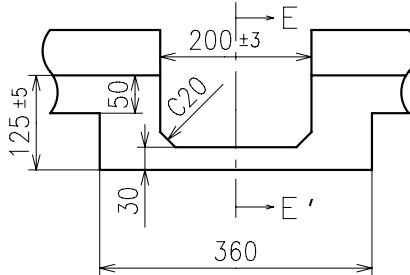
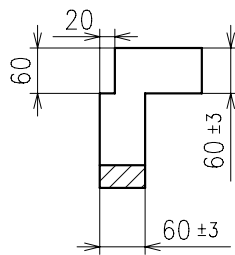
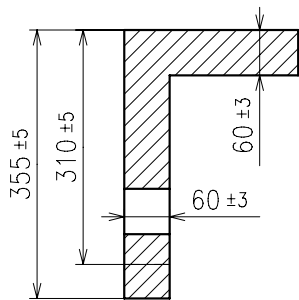


A-A' section

E-E' section

D view

F-F' section



B view

C view

