

Watch Movement Specification and Drawing

STANDARD

# Cal. Y121F

Movement Size

**6 3/4 × 8'''**

Casing Diameter

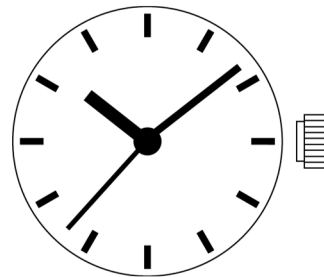
**15.3 × 17.8 mm**

Height

**2.99mm**

Battery Life

**3 years**



Date: 30/Nov./'18

# Cal. Y121F

Items	Rev.	Page
Specifications	00	1
Appearance	02	2
Casing	02	3
Hand fitting	02	4
Hand setting stem	00	5
Dial	00	6
Casing ring	00	7

**Analog Quartz 6 3/4 × 8''' Standard Series Movement / Three Hands (H/M/S)**

**1. MOVEMENT DIMENSIONS**

Outside diameter	15.30mm(3-9H) × 18.20mm(12-6H)
Casing diameter	15.30mm(3-9H) × 17.80mm(12-6H)
Total height	2.99mm

**2. TIME STANDARD**

Type of quartz oscillator	Tuning fork
Frequency of quartz oscillator	32,768 Hz
Accuracy	±20 seconds per month (on wrist)
Operating temperature range	−5°C to +50°C
Regulation device	Nil (Pre-adjusted)

**3. INDICATOR / FUNCTIONS**

3 Hands	Hour / Minute / Second				
Reset switch					
Setting mechanism	<table style="width: 100%; border-collapse: collapse;"> <tr> <td style="width: 60%;">Crown at normal position</td> <td>: Free</td> </tr> <tr> <td>Crown pulled out 1st click</td> <td>: Time setting / Reset</td> </tr> </table>	Crown at normal position	: Free	Crown pulled out 1st click	: Time setting / Reset
Crown at normal position	: Free				
Crown pulled out 1st click	: Time setting / Reset				

**4. FEATURES**

Jewels	0 Jewels						
Anti-magnetism	Over 1600A/m (Direct current magnetic field)						
Maximum unbalance of hands	<table style="width: 100%; border-collapse: collapse;"> <tr> <td style="width: 60%;">Second hand</td> <td>: 0.08 μ N·m</td> </tr> <tr> <td>Minute hand</td> <td>: 0.6 μ N·m</td> </tr> <tr> <td>Hour hand</td> <td>: 0.5 μ N·m</td> </tr> </table>	Second hand	: 0.08 μ N·m	Minute hand	: 0.6 μ N·m	Hour hand	: 0.5 μ N·m
Second hand	: 0.08 μ N·m						
Minute hand	: 0.6 μ N·m						
Hour hand	: 0.5 μ N·m						

**5. BATTERY**

Type / Size	Silver oxide battery / φ 6.8mm × t 2.6mm
Recommended battery	SR626SW (Maxell, Sony)
Nominal voltage	1.55 V
Battery life	Approx. 3 years
Driving current consumption	Approx. 1.04 μ A
Operation stopping voltage	1.1 V

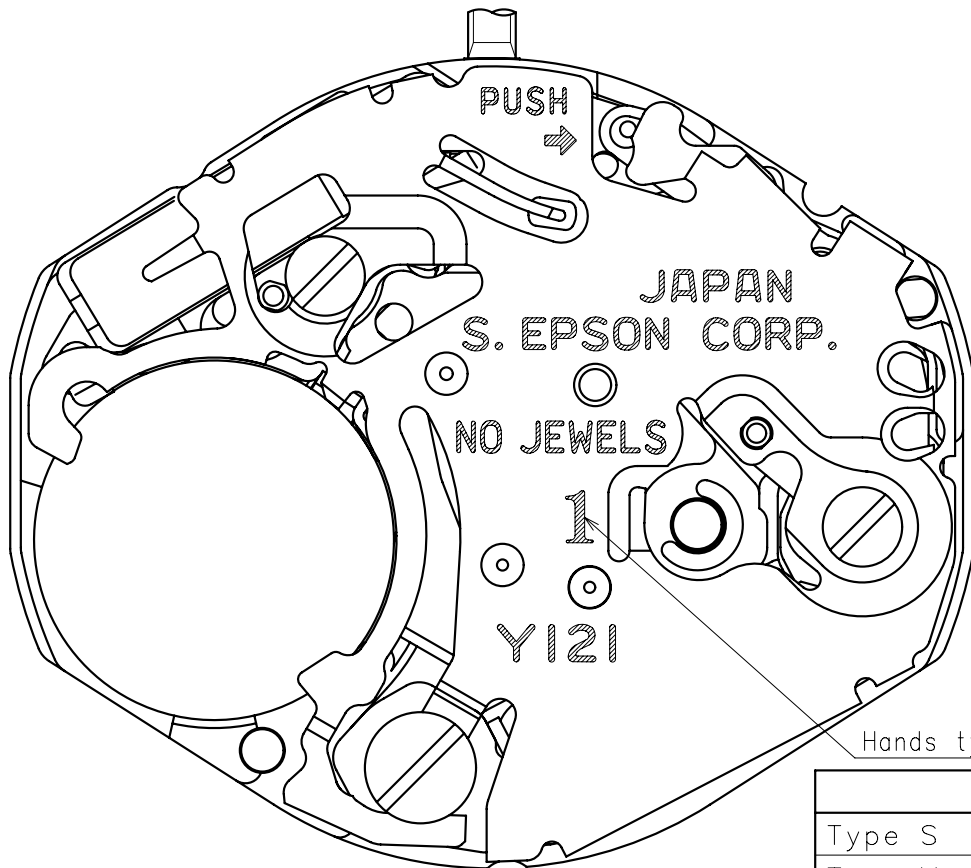
**6. SEPARATED PARTS (Parts code)**

Hand setting stem	0354788 or 0354787
Battery	SR626SW

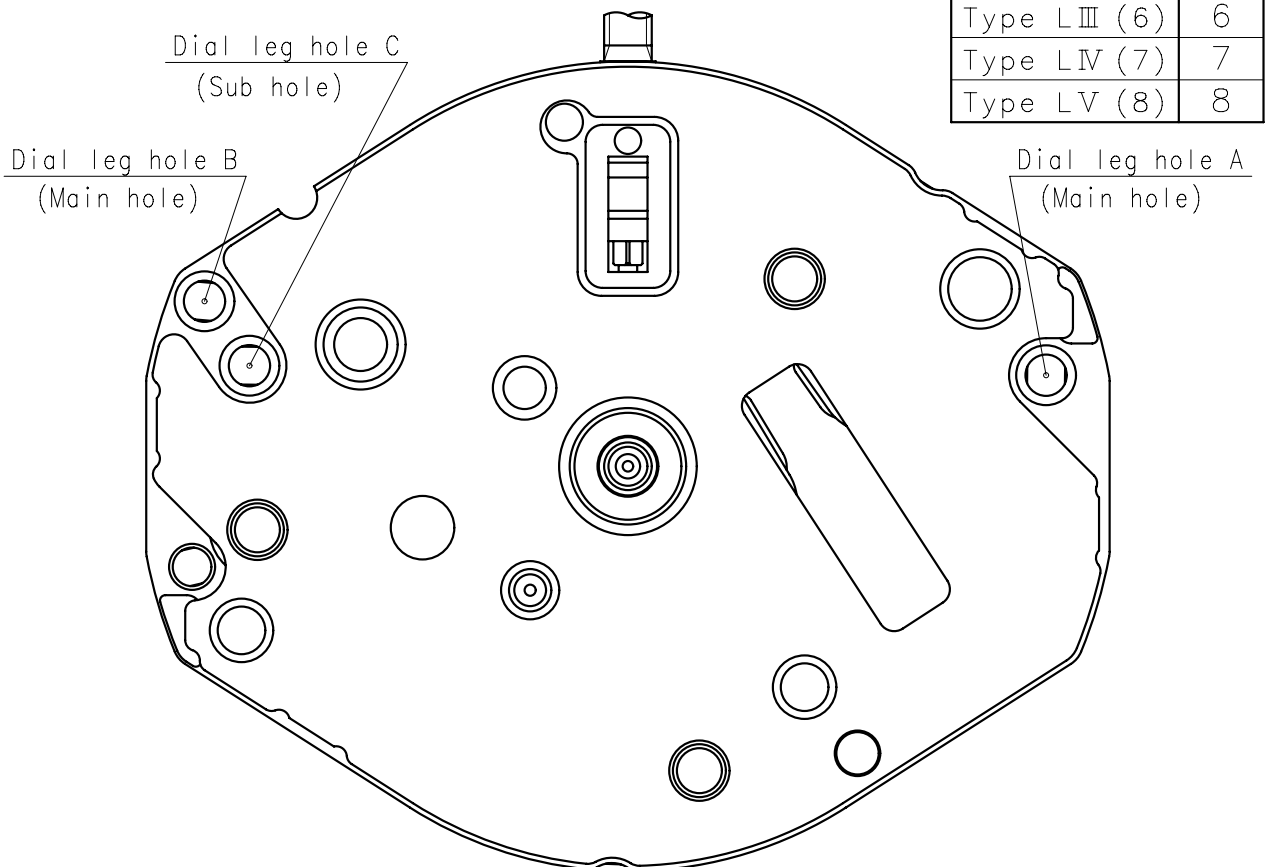
**7. TEST OF ACCURACY**

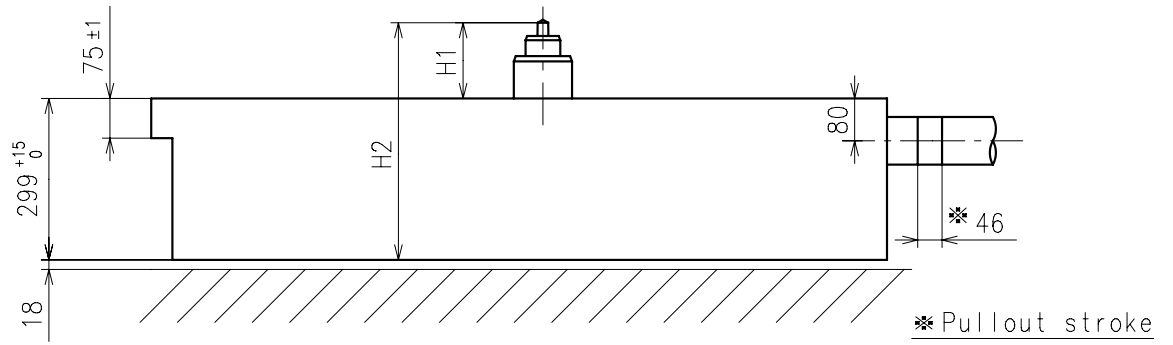
Equipment to be used	SEIKO quartz tester QT-99, Greiner quartz timer-C , Witschi Q-tester 4000
Duration of measurement	10 seconds
Microphone to be used	Electromagnetic detection type

All specifications are subject to change without notice.

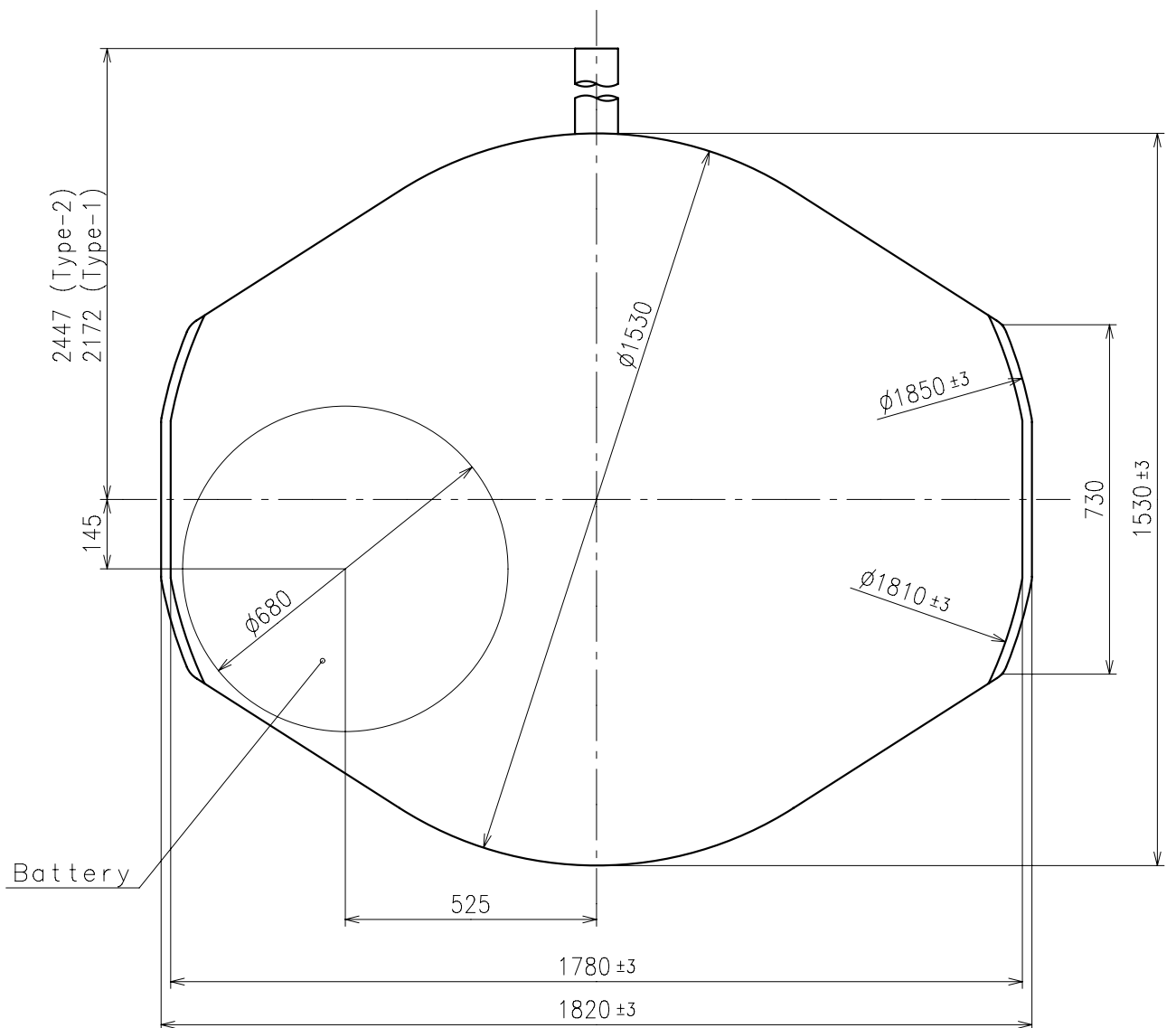


	Mark
Type S (1)	1
Type M (2)	2
Type L I (3)	3
Type L II (4)	4
Type L III (6)	6
Type L IV (7)	7
Type L V (8)	8

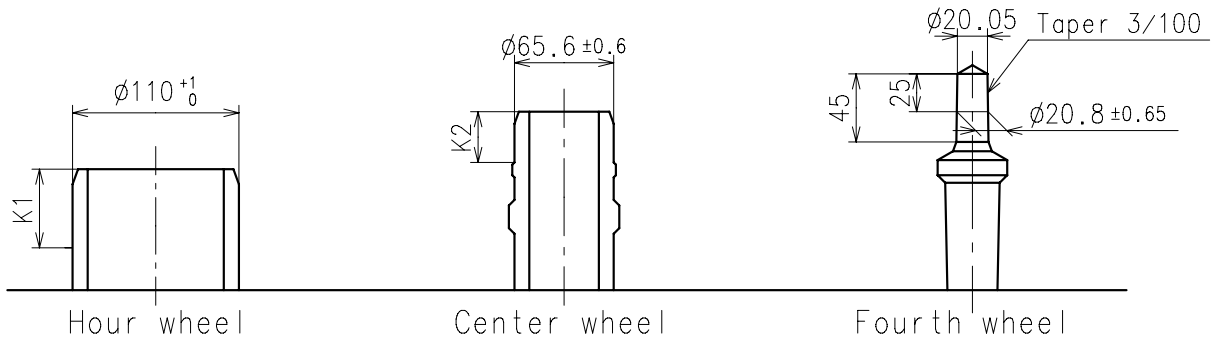




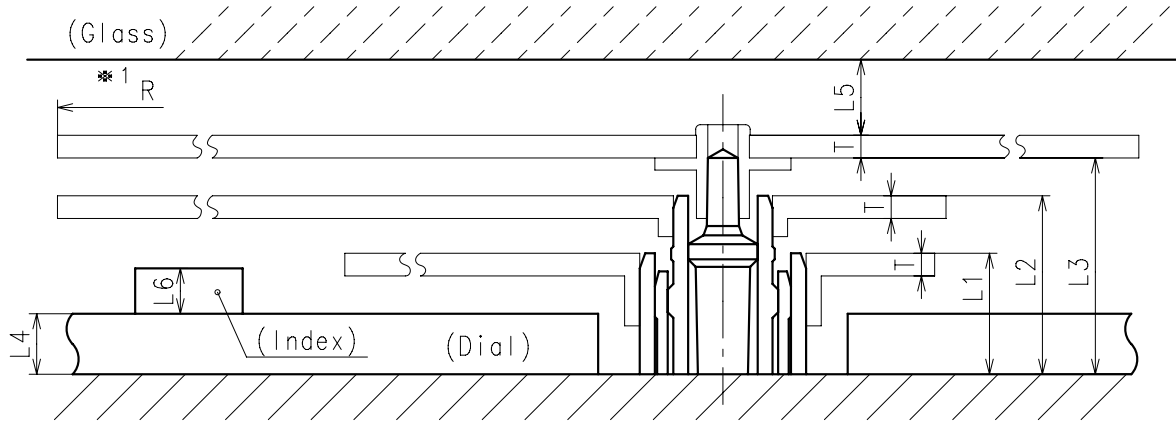
Center post		Type S (1) Y121FY	Type M (2) Y121FK	Type LI (3) Y121F3	Type LII (4) Y121F2	Type LIII (6) Y121F5	Type LIV (7) Y121F4	Type LV (8) Y121F6
Maximum height from dial support	H1	143	153	191	251	309	371	403
Total height including movement	H2	442	452	490	550	608	670	702



- \* Second hand unbalance  $\leq 0.08\mu \text{ N} \cdot \text{m}$  ( $8\mu \text{ g} \cdot \text{m}$ )
- \* Minute hand unbalance  $\leq 0.6\mu \text{ N} \cdot \text{m}$  ( $60\mu \text{ g} \cdot \text{m}$ )
- \* Hour hand unbalance  $\leq 0.5\mu \text{ N} \cdot \text{m}$  ( $50\mu \text{ g} \cdot \text{m}$ )

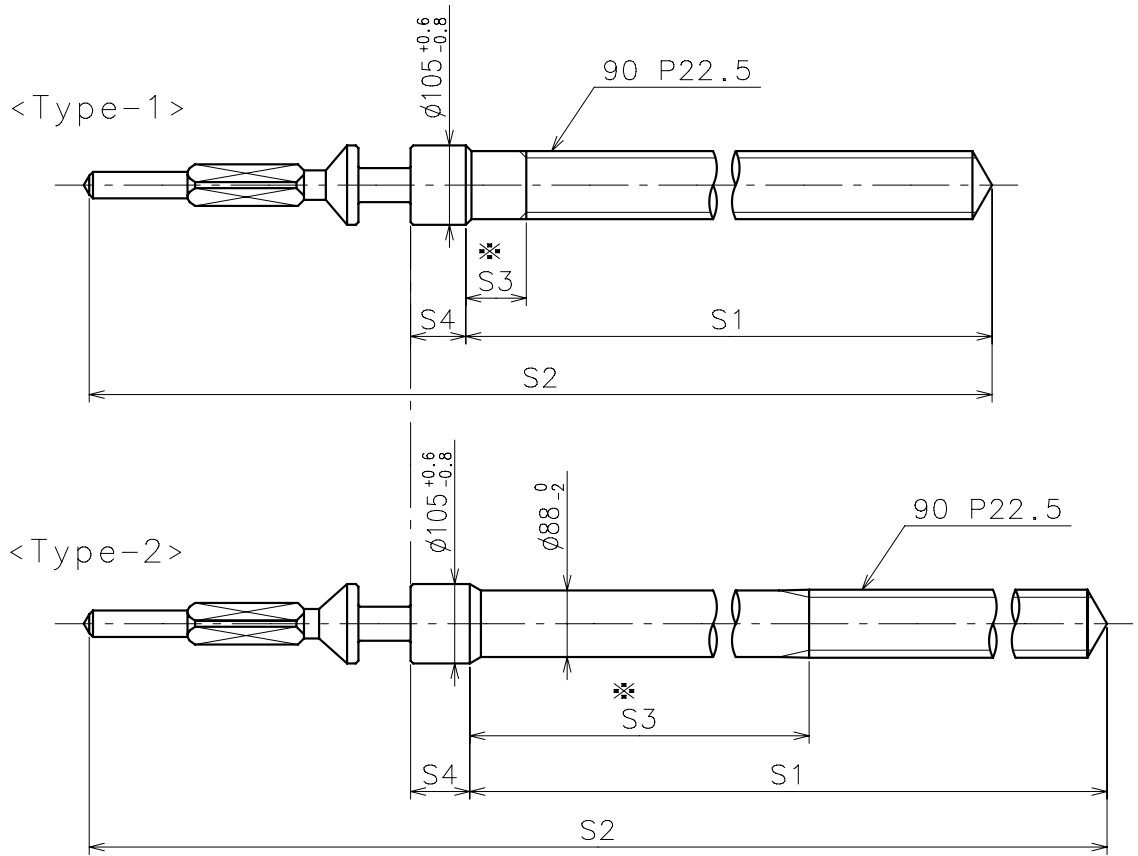


	Parts No.			Dimension	
	Hour wheel	Center wheel	Fourth wheel	K1	K2
Type S (1) Y121F1	0271796	0221797	0241798	52	33.5
Type M (2) Y121FK	0271796	0221797	0241599	52	33.5
Type LI (3) Y121F3	0271764	0221764	0241764	60	33.5
Type LII (4) Y121F2	0271797	0221779	0241777	60	33.5
Type LIII (6) Y121F5	0271775	0221766	0241757	60	33.5
Type LIV (7) Y121F4	0271756	0221765	0241756	60	33.5
Type LV (8) Y121F6	0271778	0221767	0241758	60	33.5



	L1	L2	L3	L4	L5	L6	T	*1 R
Type S (1) Y121F1	80	118	143	40	MIN: 50	MAX: 30	15	MAX: 1250
Type M (2) Y121FK	80	118	153	40	MIN: 50	MAX: 30	15	MAX: 1250
Type LI (3) Y121F3	128	166	191	MAX: 90	MIN: 50	MAX: 30	15	MAX: 1250
Type LII (4) Y121F2	185	226	251	MAX: 150	MIN: 50	MAX: 30	15	MAX: 1250
Type LIII (6) Y121F5	235	281	309	MAX: 200	MIN: 50	MAX: 30	15	MAX: 1250
Type LIV (7) Y121F4	297	343	371	MAX: 250	MIN: 50	MAX: 30	15	MAX: 1250
Type LV (8) Y121F6	329	375	403	MAX: 280	MIN: 50	MAX: 30	15	MAX: 1250

\*1: It is the size taken into consideration for hands attachment.  
Please observe some standard value specified in unbalance when using long hands.

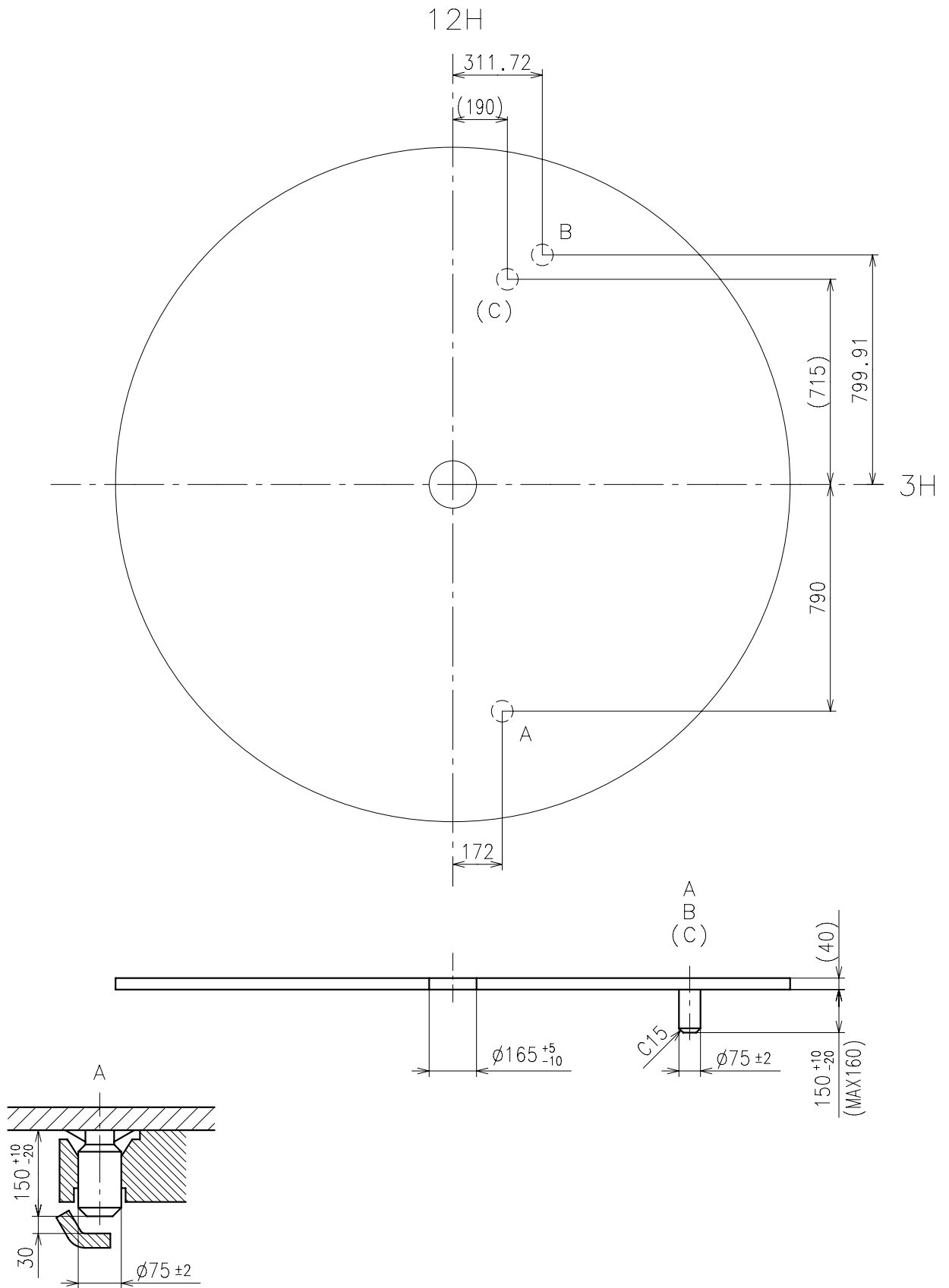


\* Not threaded

	Part No.	S1	S2	* S3	S4
Type-1 (Standard)	0354788	1473	1971	80	73
Type-2	0354787	1743	2246	887	78

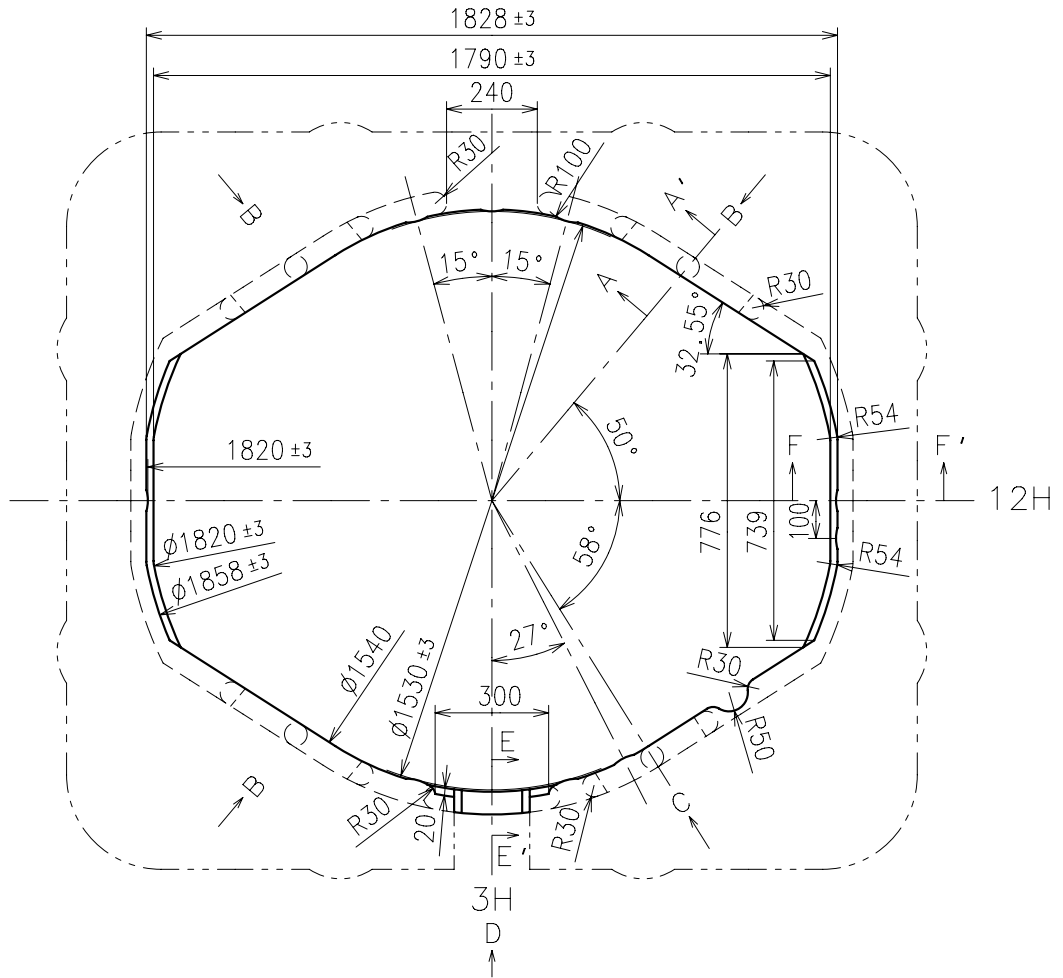
Material : Steel

Hardness : Vickers 530±50



Use dial leg A-B(Main) or A-C(Sub)



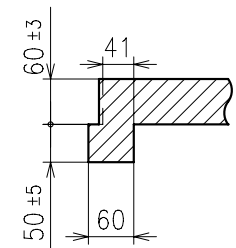
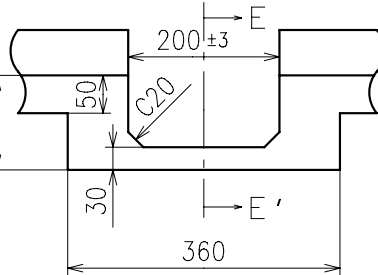
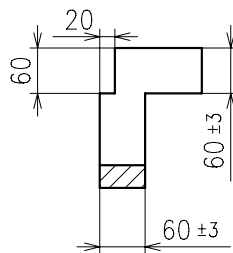
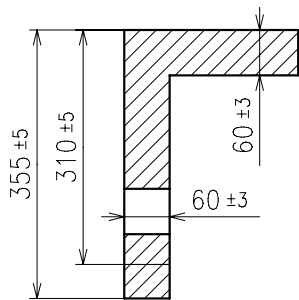


A-A' section

E-E' section

D view

F-F' section



B view

C view

