

Watch Movement Specification and Drawing

CALENDAR

Cal. VX43E

Movement Size

11 1/2'''

Casing Diameter

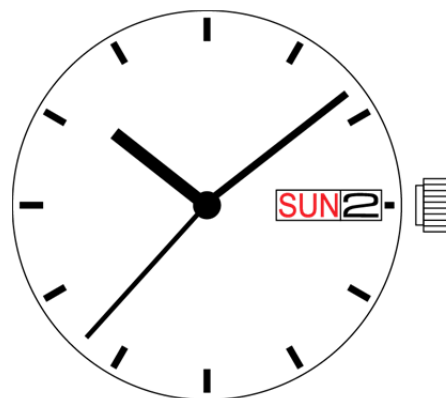
Ø 25.6mm

Height

2.98mm

Battery Life

3 years



Date: 28/Feb./'17

Cal. VX43E

Items	Rev.	Page
Specifications	03	1
Appearance	04	2
Casing	05	3
Hand fitting	04	4
Hand setting stem	04	5
Dial-01	02	6-01
Dial-04	01	6-04
Dial-05	01	6-05
Dial-06	01	6-06
Dial-07	02	6-07
Dial-08	02	6-08
Dial-09	02	6-09
Dial-10	01	6-10
Dial-11	01	6-11
Dial-12	01	6-12
Dial-13	01	6-13
Dial-14	01	6-14
Dial-15	00	6-15
Dial-16	00	6-16
Casing ring	02	7

Analog Quartz 11 1/2" Slim Movement / Three hands (H/M/S) with Day / Date

1. MOVEMENT DIMENSIONS

Outside diameter	$\phi 26.40\text{mm} \times 23.50\text{mm}(3\text{-}9\text{H}) \times 23.50\text{mm}(12\text{-}6\text{H})$
Casing diameter	$\phi 25.60\text{mm} \times 21.90\text{mm}(3\text{-}9\text{H}) \times 23.50\text{mm}(12\text{-}6\text{H})$
Total height	2.98mm (including battery)

2. TIME STANDARD

Type of quartz oscillator	Tuning fork
Frequency of quartz oscillator	32,768 Hz
Accuracy	± 20 seconds per month (on wrist)
Operating temperature range	-5°C to $+50^{\circ}\text{C}$
Regulation device	Nil (Pre-adjusted)

3. INDICATOR / FUNCTIONS

3 Hands	Hour / Minute / Second						
Day / Date	Instant setting device for day / date calendar						
Reset switch							
Setting mechanism	<table style="width: 100%; border: none;"> <tr> <td style="width: 60%;">Crown at normal position</td> <td>: Free</td> </tr> <tr> <td>Crown pulled out 1st click</td> <td>: Instant day / date change</td> </tr> <tr> <td>Crown pulled out 2nd click</td> <td>: Time setting / Reset</td> </tr> </table>	Crown at normal position	: Free	Crown pulled out 1st click	: Instant day / date change	Crown pulled out 2nd click	: Time setting / Reset
Crown at normal position	: Free						
Crown pulled out 1st click	: Instant day / date change						
Crown pulled out 2nd click	: Time setting / Reset						

4. FEATURES

Jewels	0 Jewels						
Anti-magnetism	Over 1600A/m (Direct current magnetic field)						
Maximum unbalance of hands	<table style="width: 100%; border: none;"> <tr> <td style="width: 60%;">Hour hand</td> <td>: $0.5 \mu \text{N}\cdot\text{m}$</td> </tr> <tr> <td>Minute hand</td> <td>: $0.6 \mu \text{N}\cdot\text{m}$</td> </tr> <tr> <td>Second hand</td> <td>: $0.07 \mu \text{N}\cdot\text{m}$</td> </tr> </table>	Hour hand	: $0.5 \mu \text{N}\cdot\text{m}$	Minute hand	: $0.6 \mu \text{N}\cdot\text{m}$	Second hand	: $0.07 \mu \text{N}\cdot\text{m}$
Hour hand	: $0.5 \mu \text{N}\cdot\text{m}$						
Minute hand	: $0.6 \mu \text{N}\cdot\text{m}$						
Second hand	: $0.07 \mu \text{N}\cdot\text{m}$						

5. BATTERY

Type / Size	Silver oxide battery / $\phi 9.5\text{mm} \times t 2.0\text{mm}$
Recommended battery	SR920SW (Maxell, Sony, Seizaiken)
Nominal voltage	1.55 V
Battery life	Approx. 3 years
Driving current consumption	Approx. $1.6 \mu \text{A}$
Operation stopping voltage	1.1 V

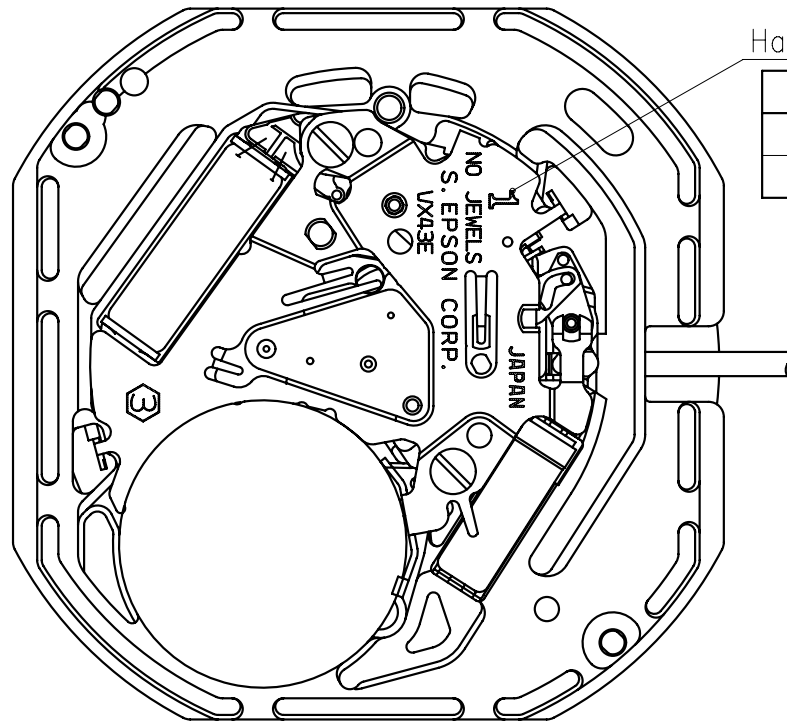
6. SEPARATED PARTS (Parts code)

Hand setting stem	0351177 or 0351578
Battery	SR920SW

7. TEST OF ACCURACY

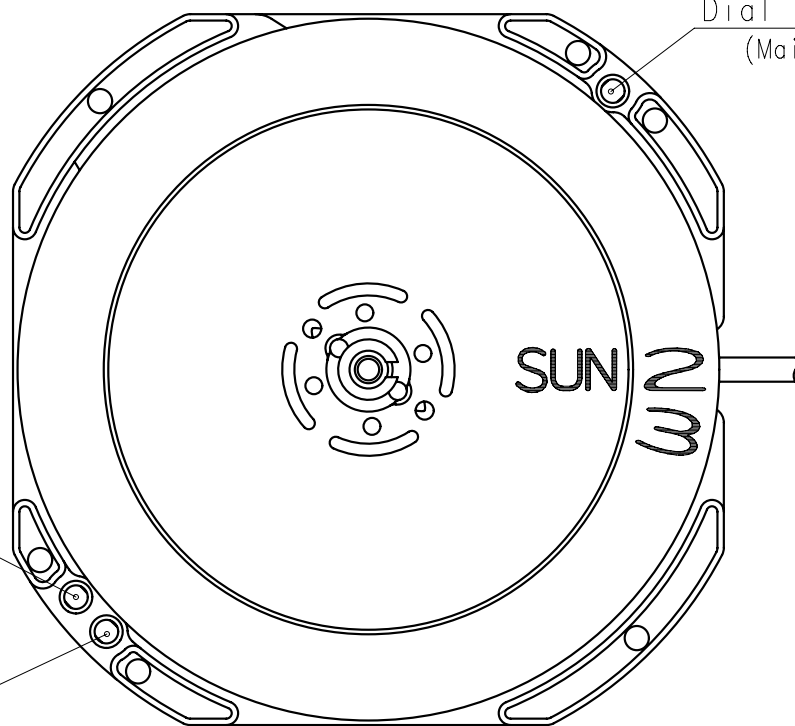
Equipment to be used	SEIKO quartz tester QT-99, Greiner quartz timer-C , Witschi Q-tester 4000
Duration of measurement	10 seconds
Microphone to be used	Electromagnetic detection type

All specifications are subject to change without notice.



Hands type

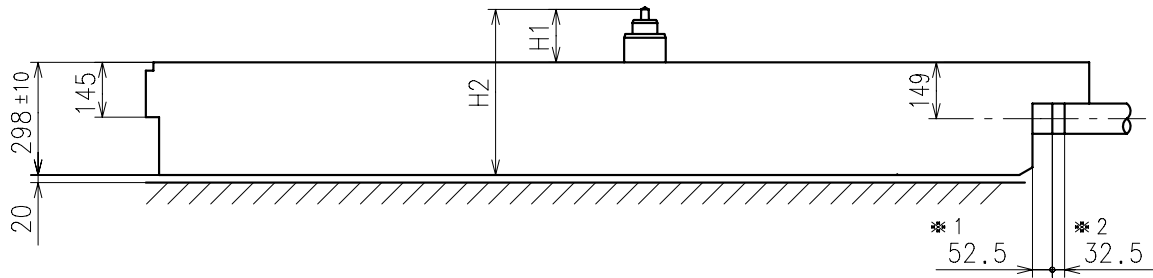
	Mark
Type S (1)	1
Type M (2)	2



Dial leg hole A
(Main hole)

Dial leg hole B
(Main hole)

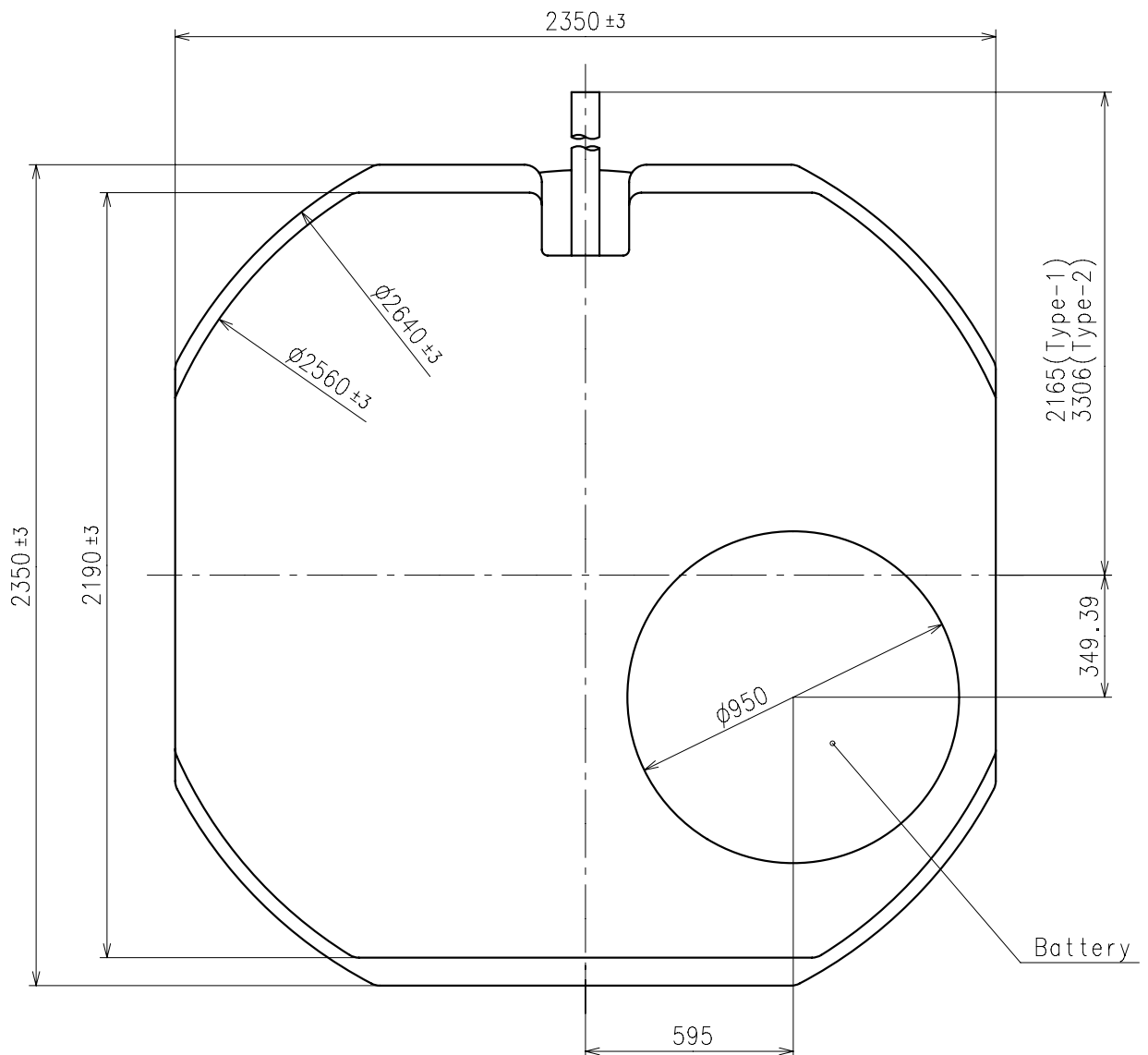
Dial leg hole C
(Sub hole)



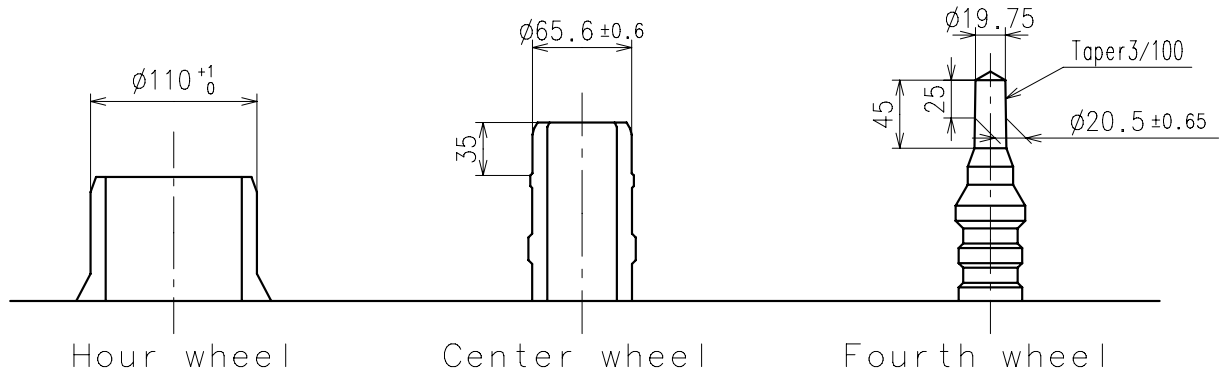
Center post		Type S (1) VX43E1**	Type M (2) VX43E2**
Maximum height from dial support	H1	146	182
Total height including movement	H2	444	480

*1: First pullout stroke

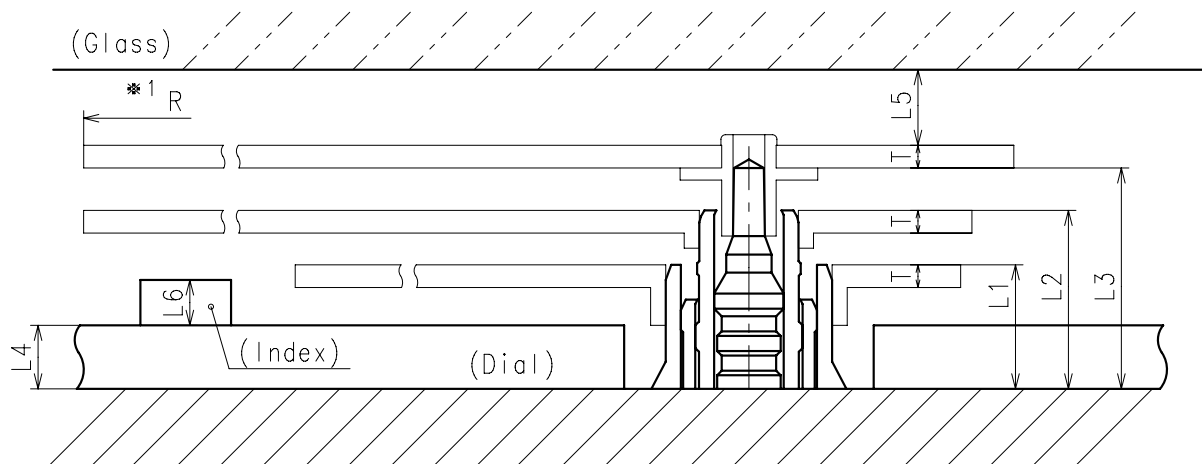
*2: Second pullout stroke



- * Hour hand unbalance $\leq 0.5\mu\text{ N}\cdot\text{m}$ ($50\mu\text{ g}\cdot\text{m}$)
- * Minute hand unbalance $\leq 0.6\mu\text{ N}\cdot\text{m}$ ($60\mu\text{ g}\cdot\text{m}$)
- * Second hand unbalance $\leq 0.07\mu\text{ N}\cdot\text{m}$ ($7\mu\text{ g}\cdot\text{m}$)

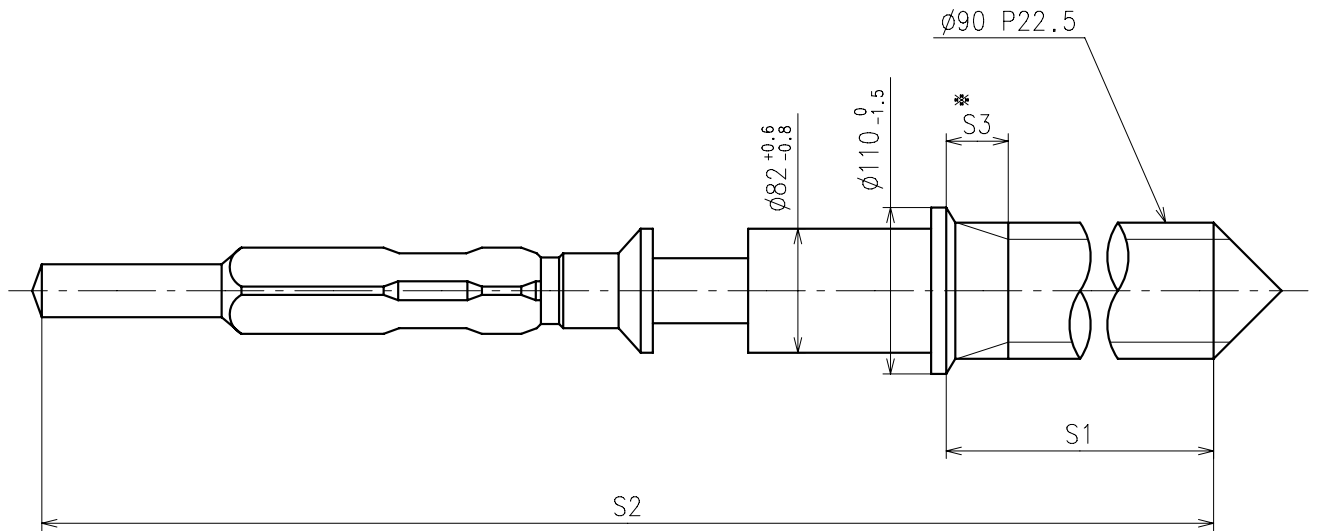


	Parts No.		
	Hour wheel	Center wheel	Fourth wheel
Type S (1) VX43E1**	0271904	0221904	0241904
Type M (2) VX43E2**	0271934	0221934	0241934



	L1	L2	L3	L4	L5	L6	T	*1 R
Type S (1) VX43E1**	82	118	146	40	MIN: 50	MAX: 35	15	MAX: 1250
Type M (2) VX43E2**	105	154	182	40	MIN: 50	MAX: 60	15	MAX: 1250

*1: It is the size taken into consideration for hands attachment.
Please observe some standard value specified in unbalance when using long hands.

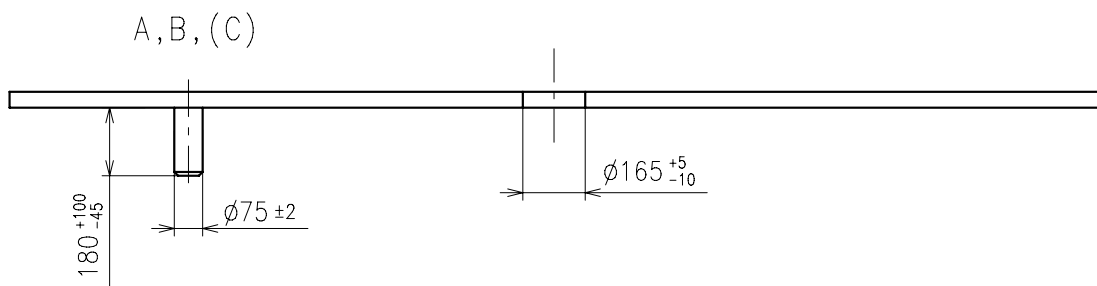
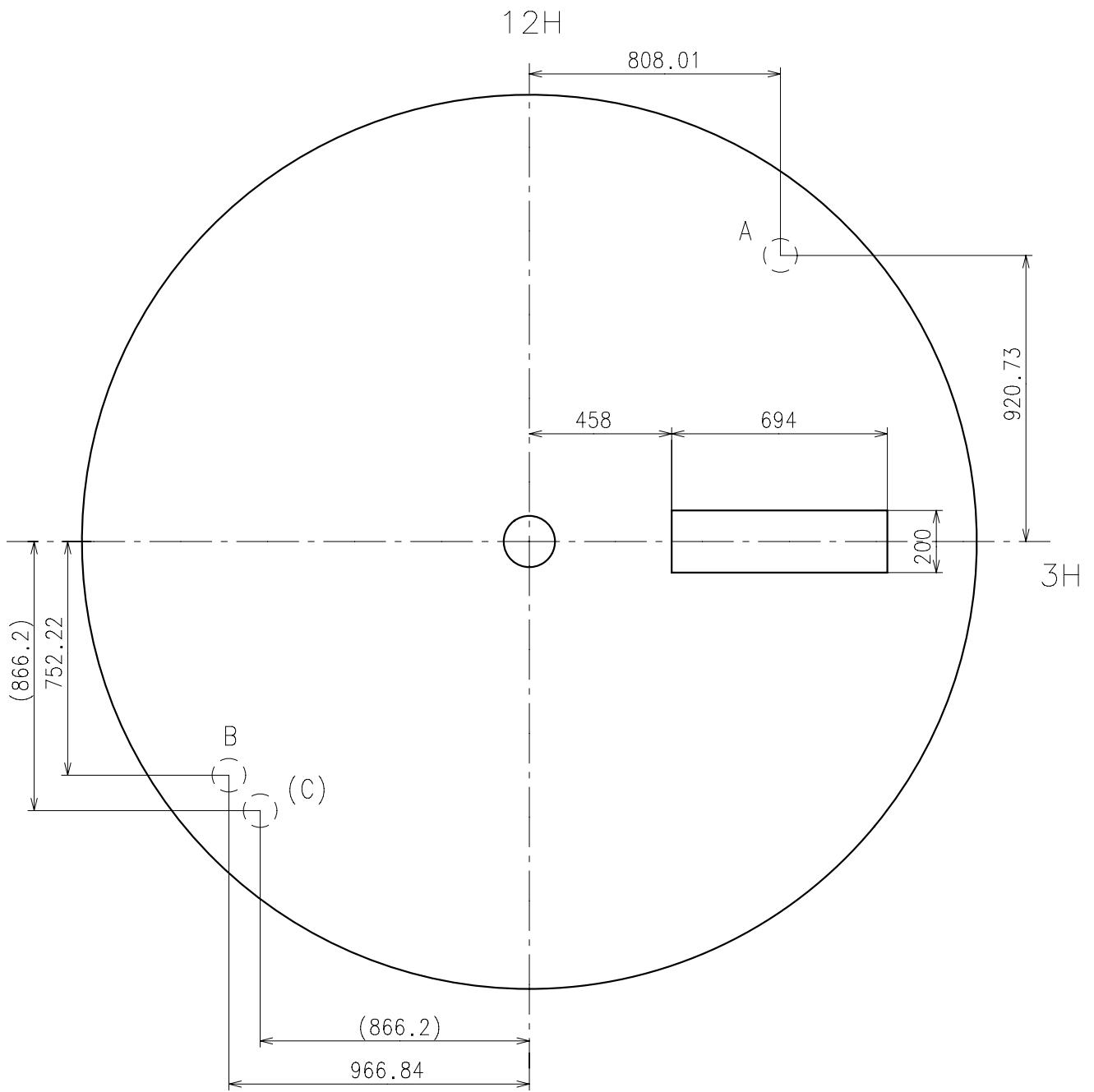


※ Not threaded

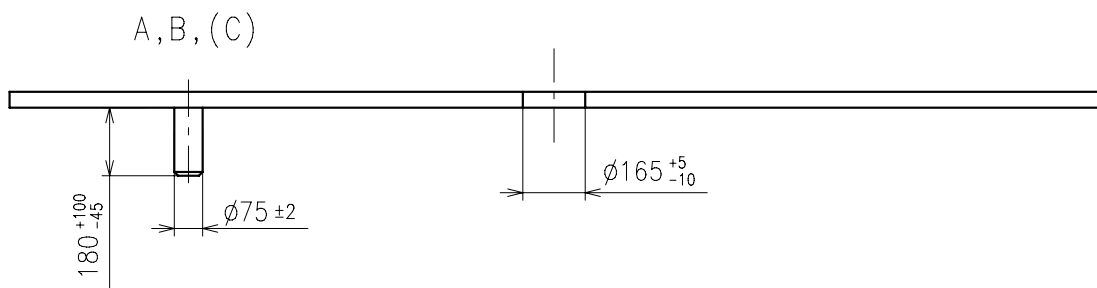
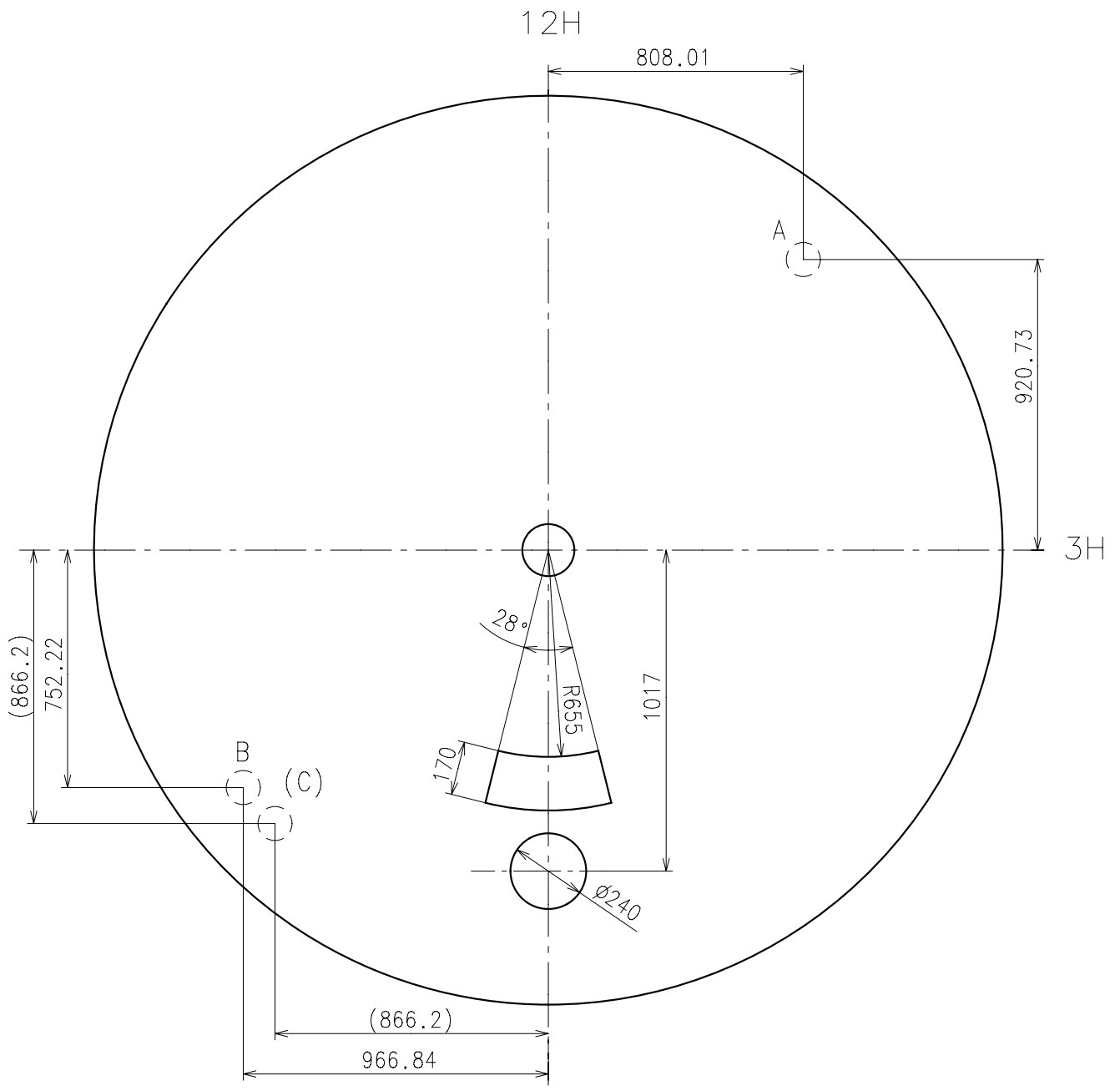
	Part No.	S1	S2	※ S3
Type-1 (Standard)	0351177	1366	1964	60
Type-2	0351578	2507	3105	650

Material : Steel

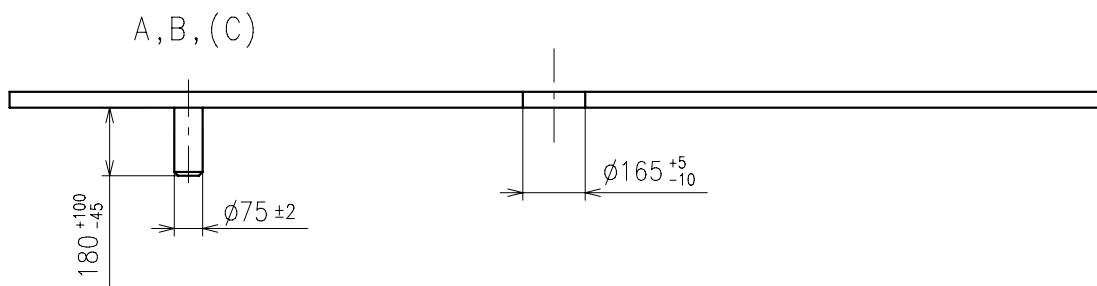
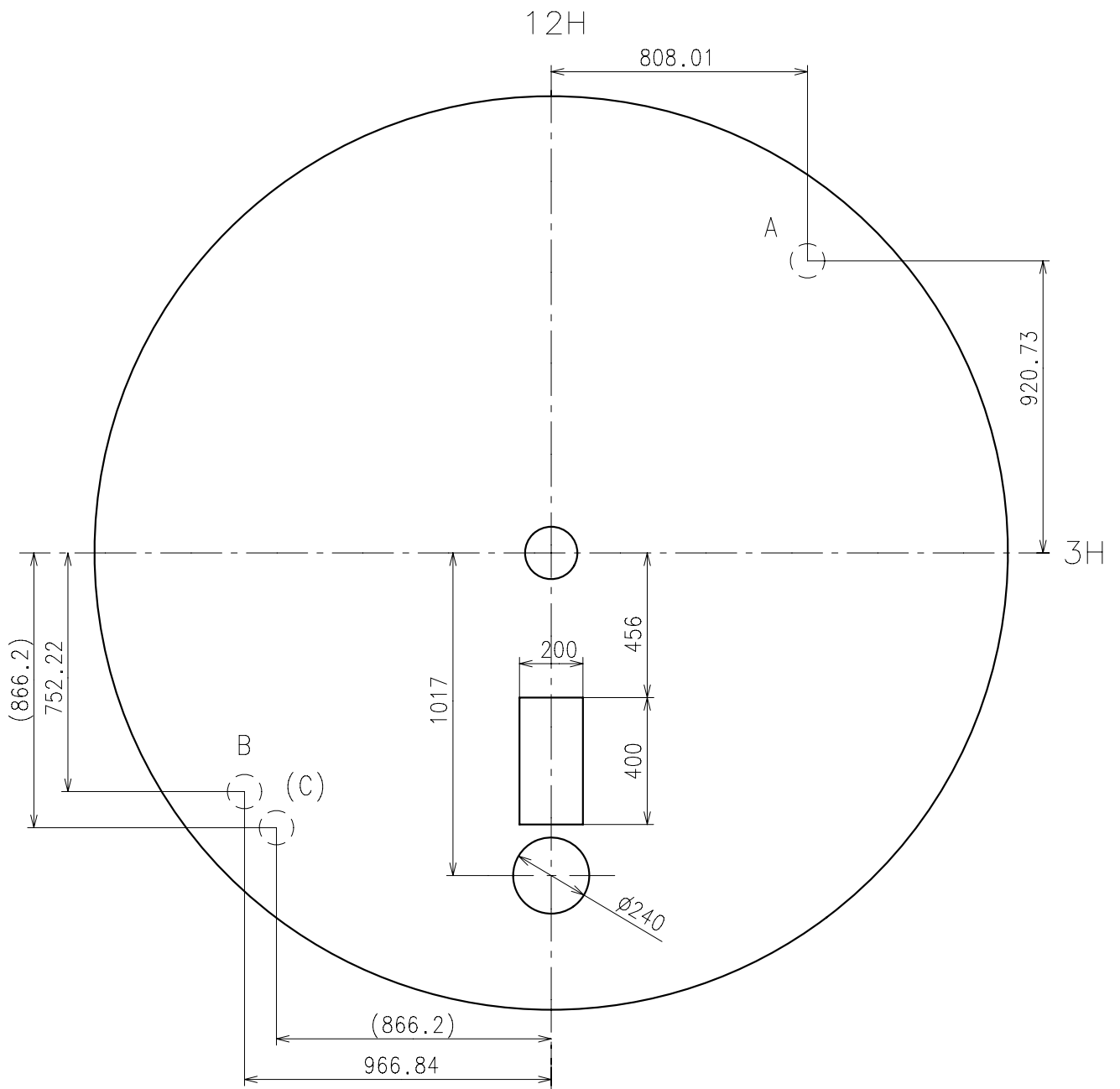
Hardness : Vickers 600±50



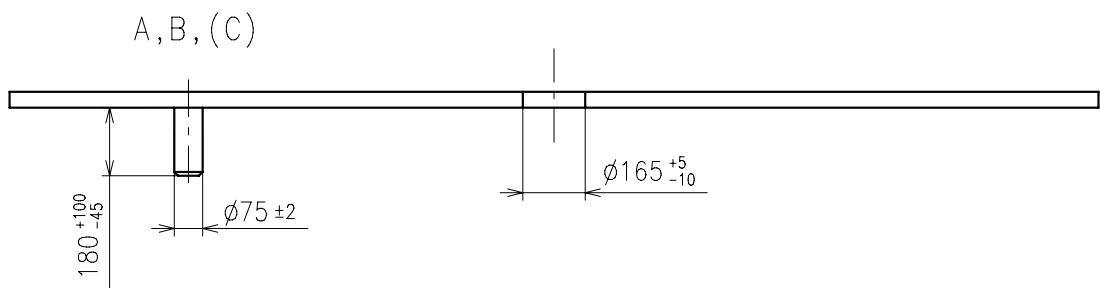
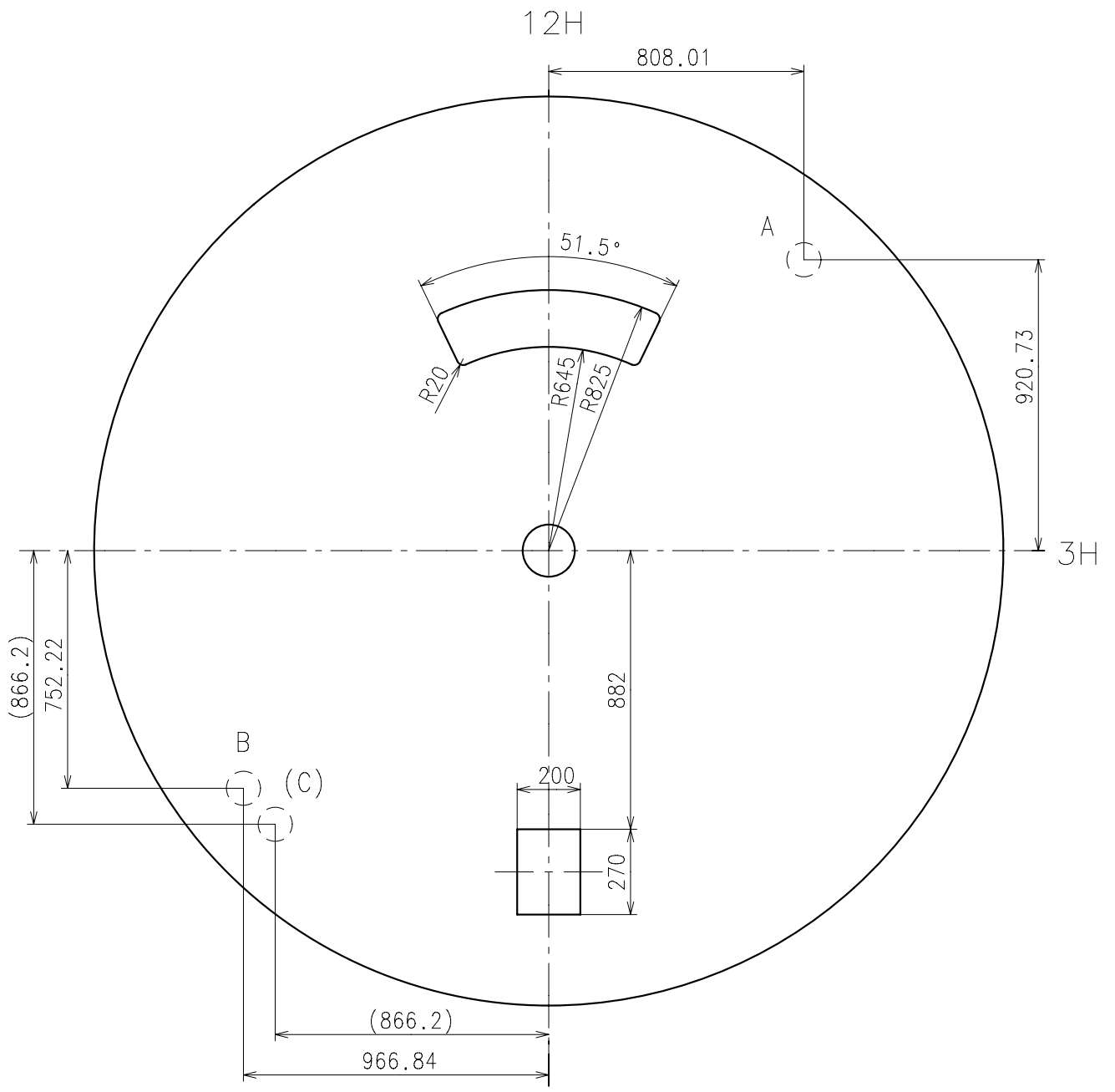
* Use dial leg A-B or (A-C)



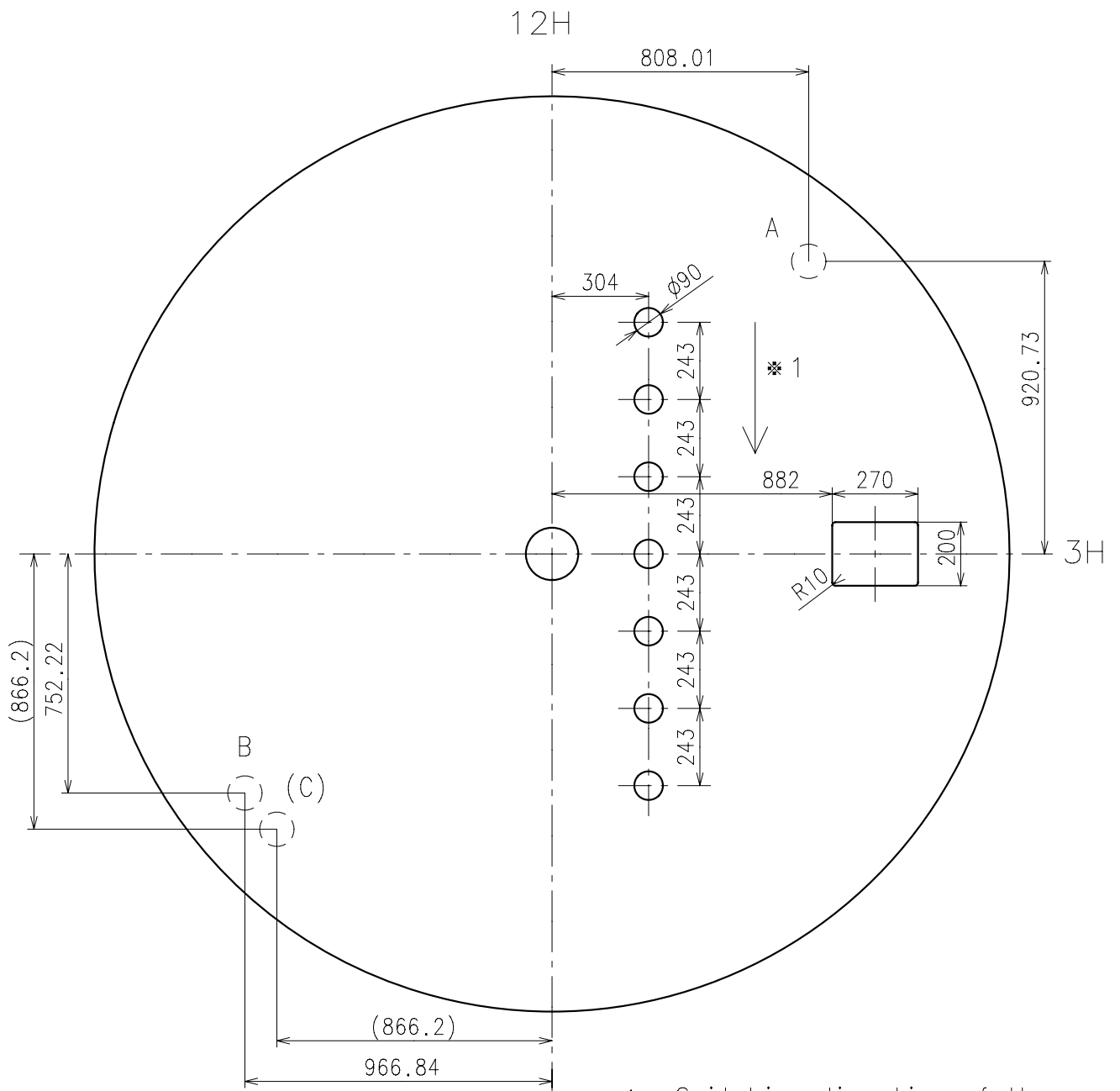
* Use dial leg A-B or (A-C)



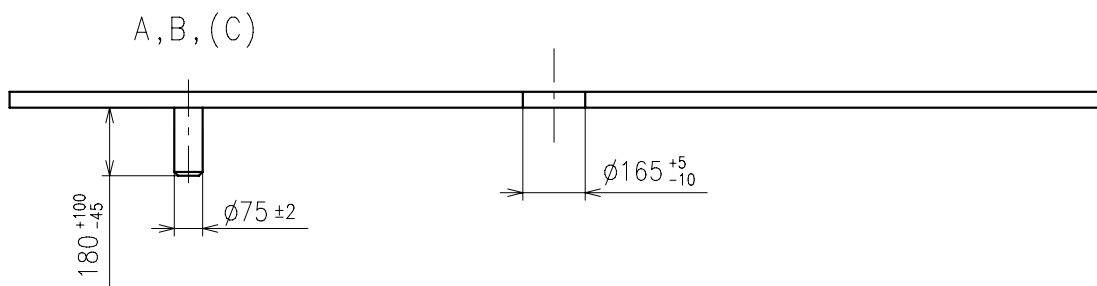
* Use dial leg A-B or (A-C)



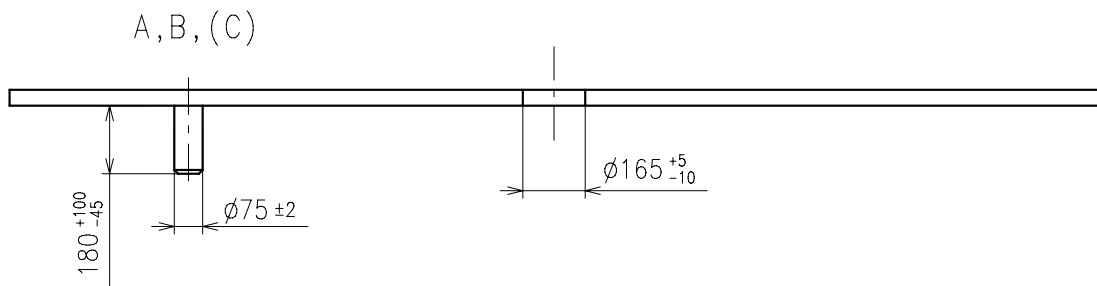
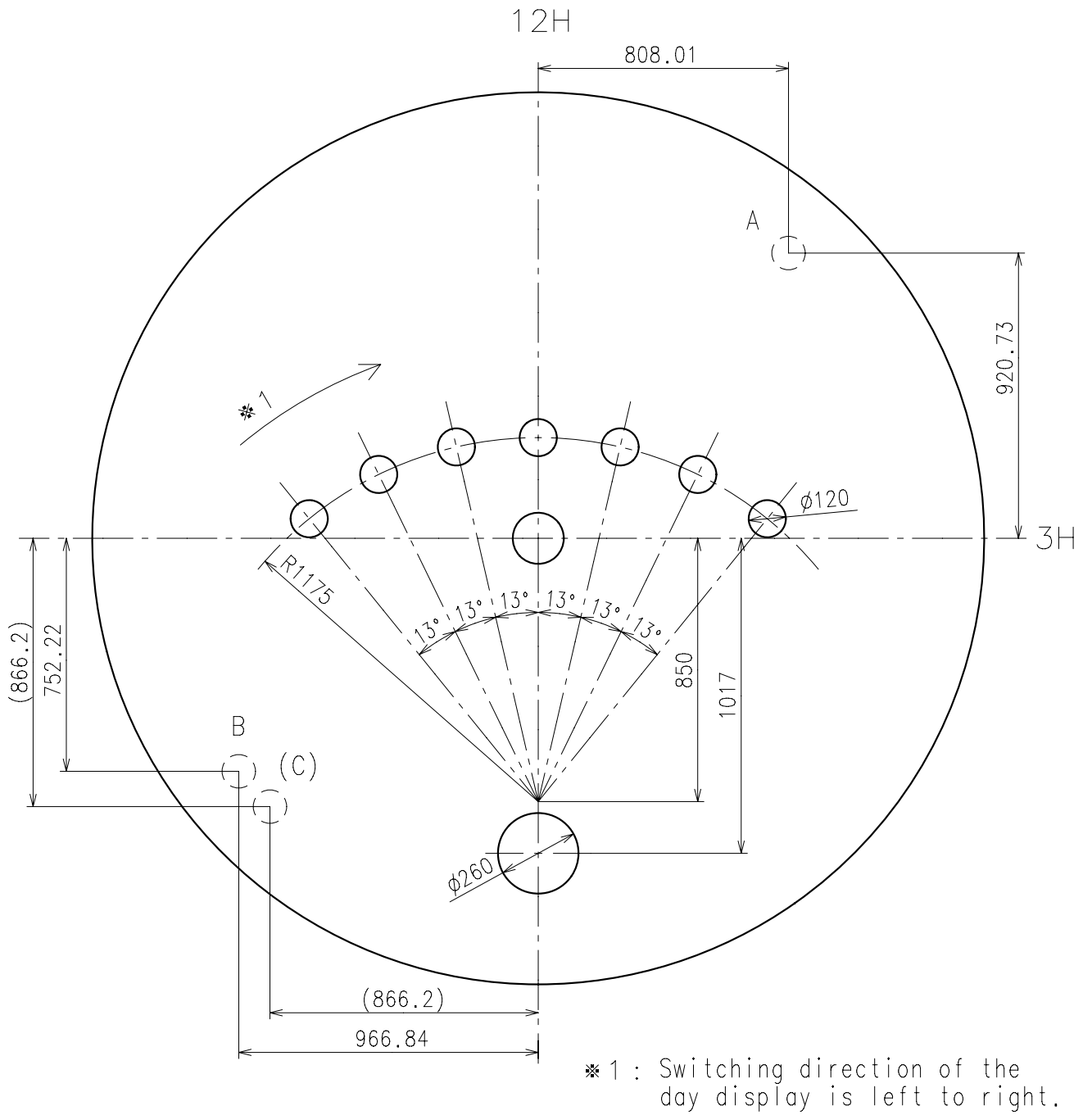
* Use dial leg A-B or (A-C)



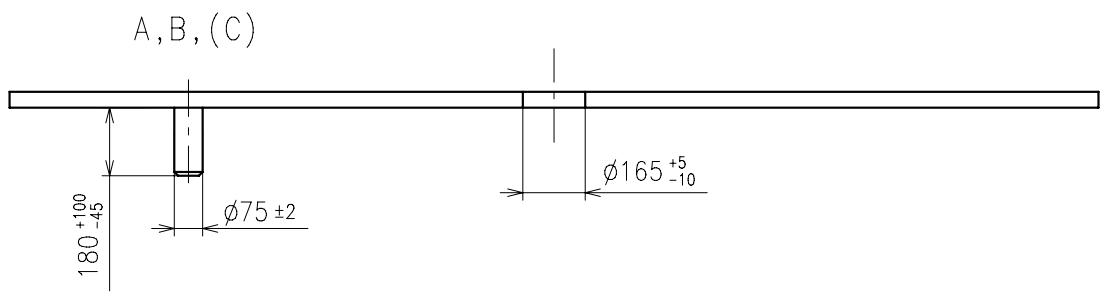
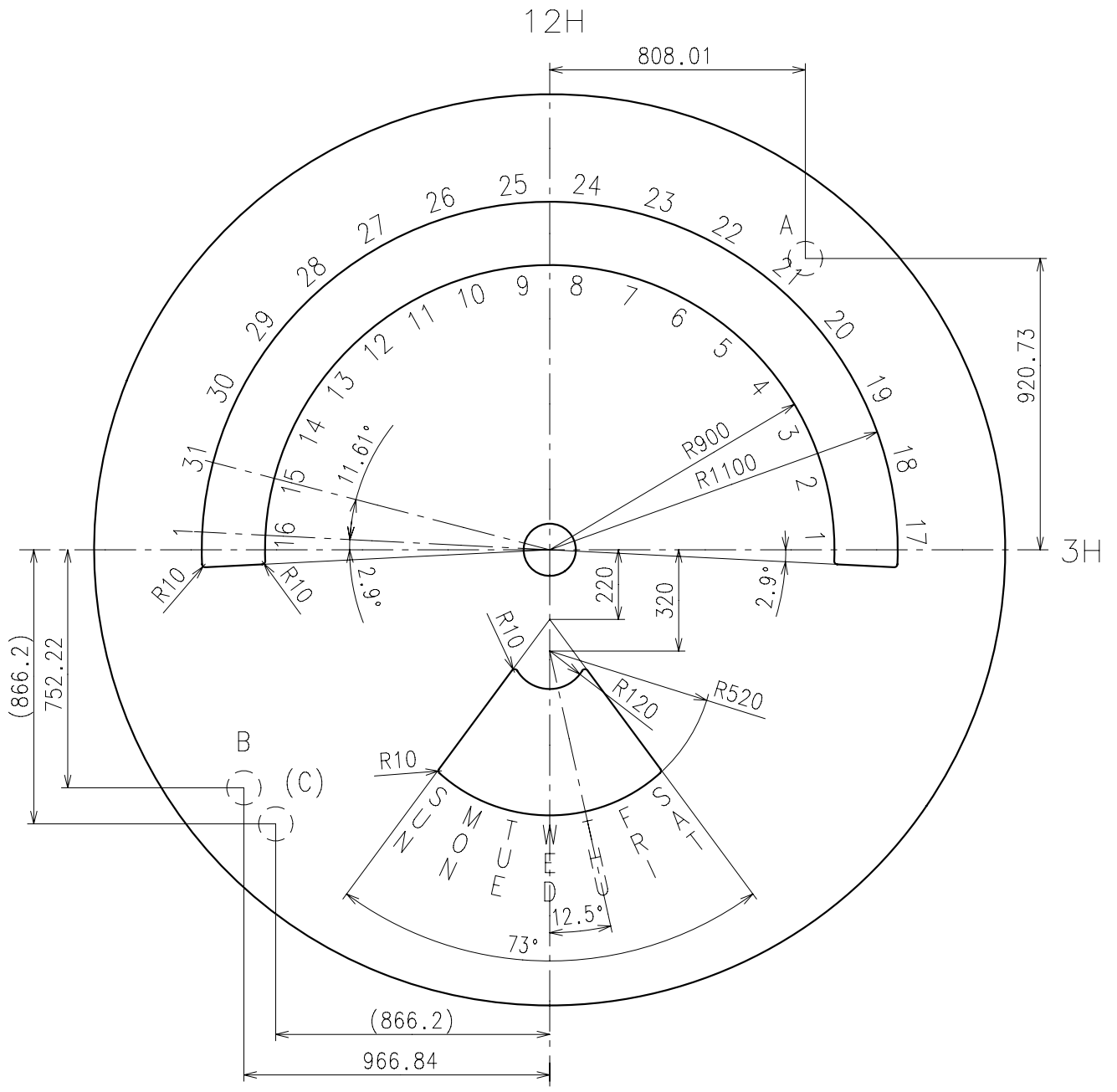
* 1 : Switching direction of the day display is top to bottom.



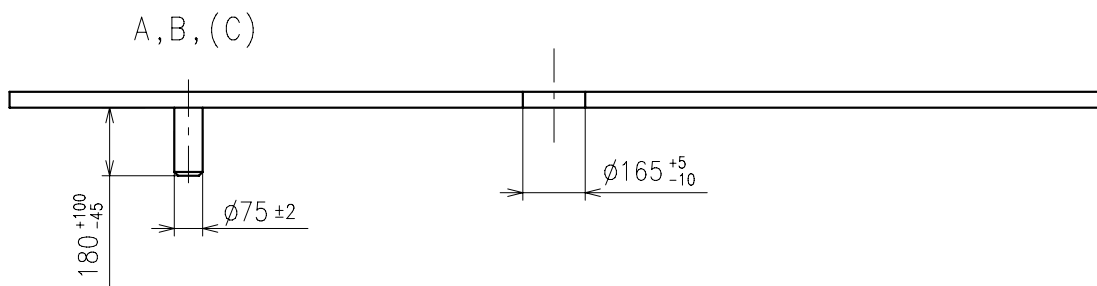
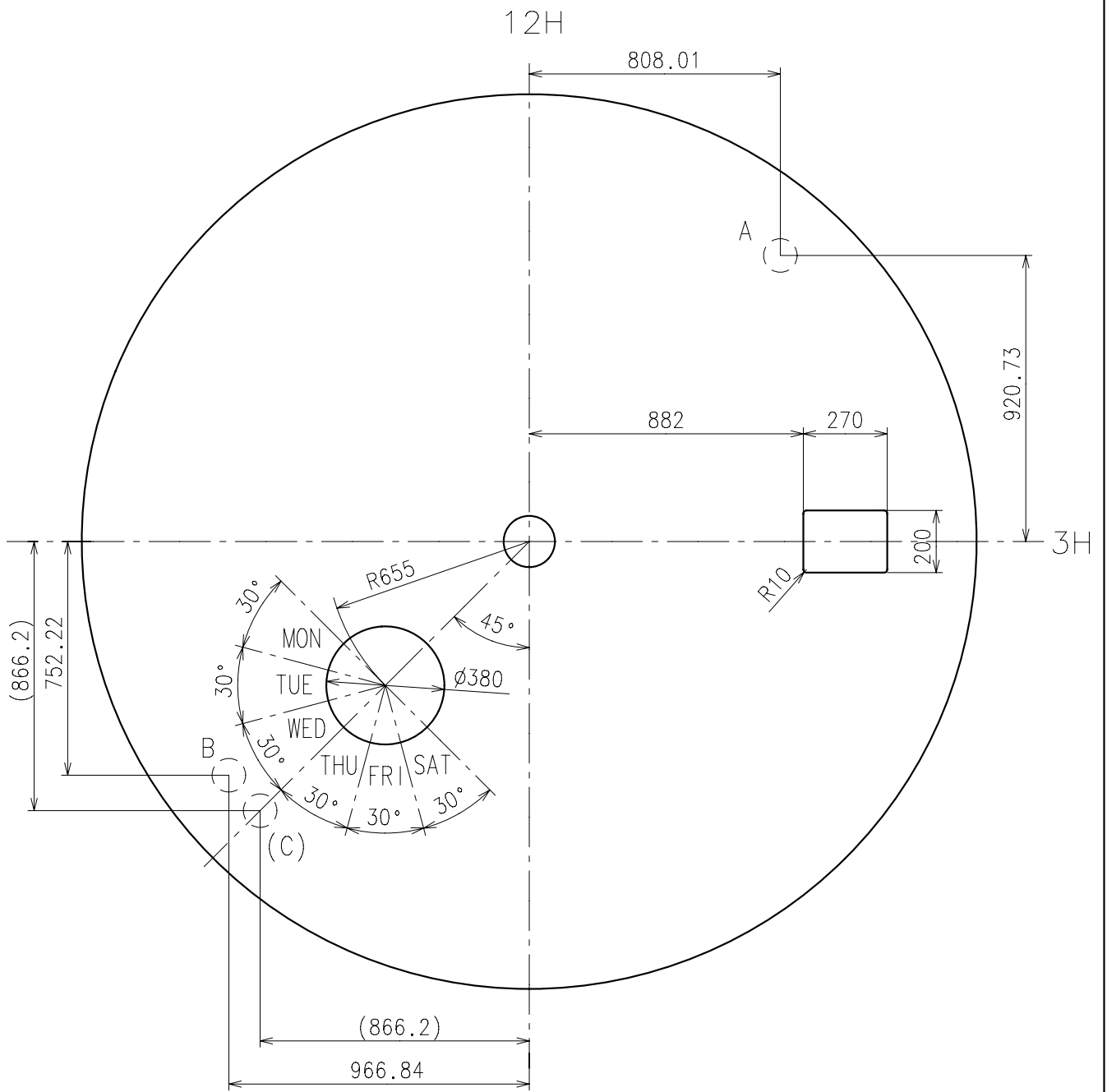
* Use dial leg A-B or (A-C)



* Use dial leg A-B or (A-C)

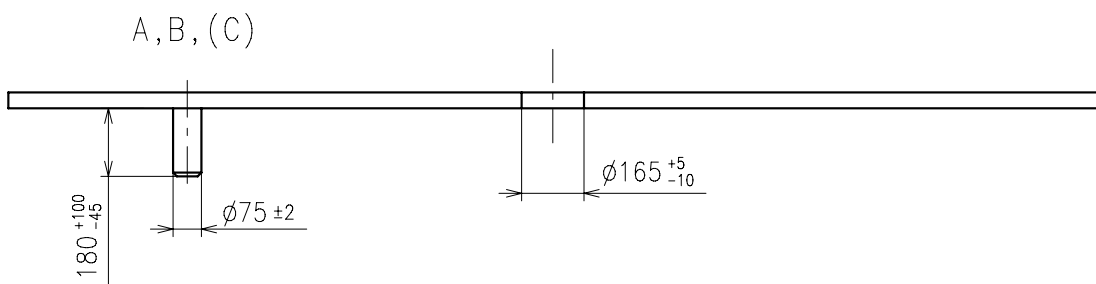
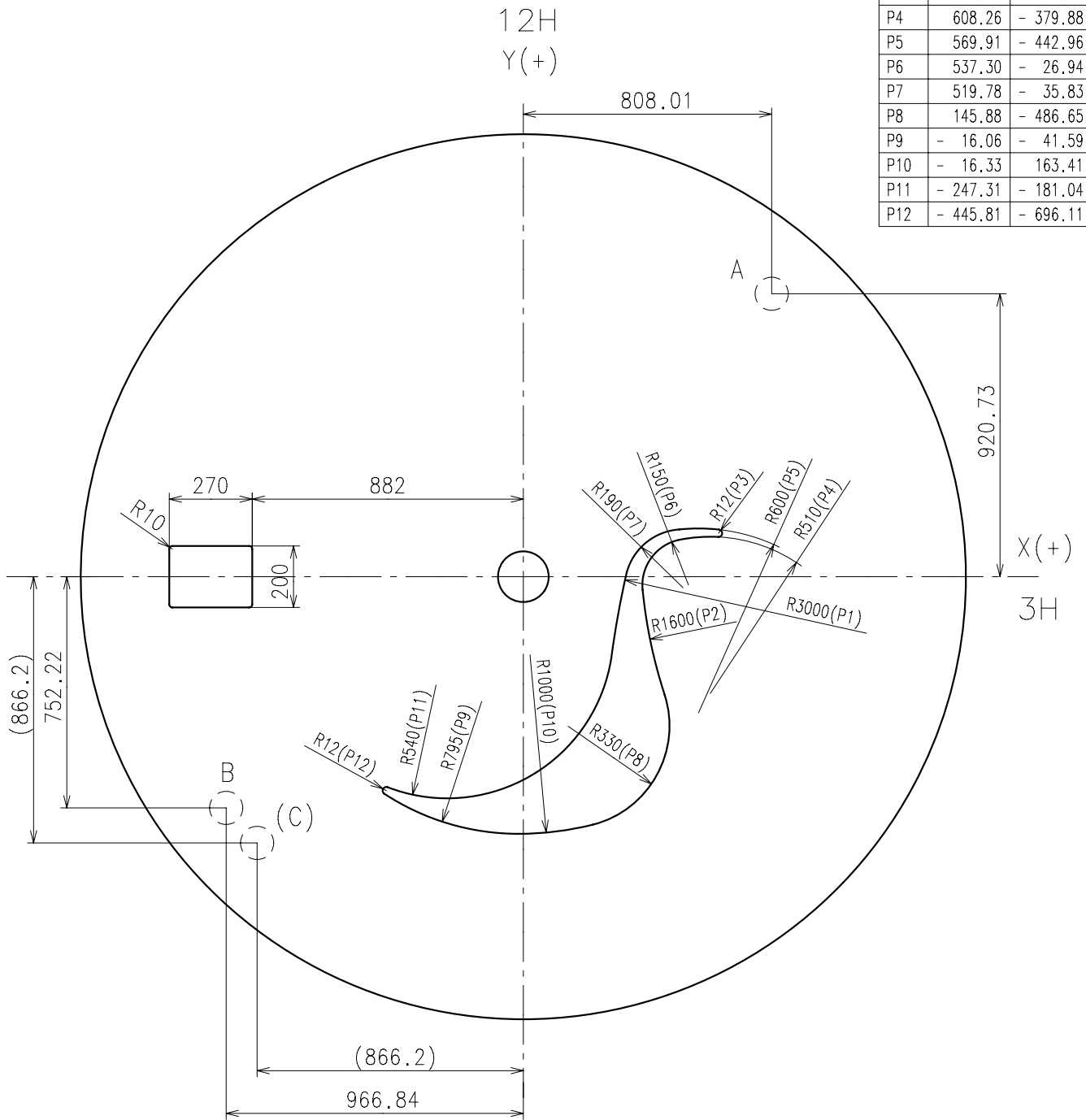


* Use dial leg A-B or (A-C)

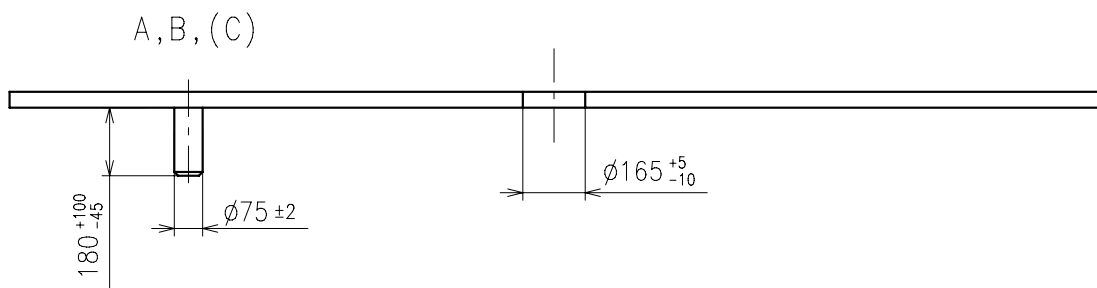
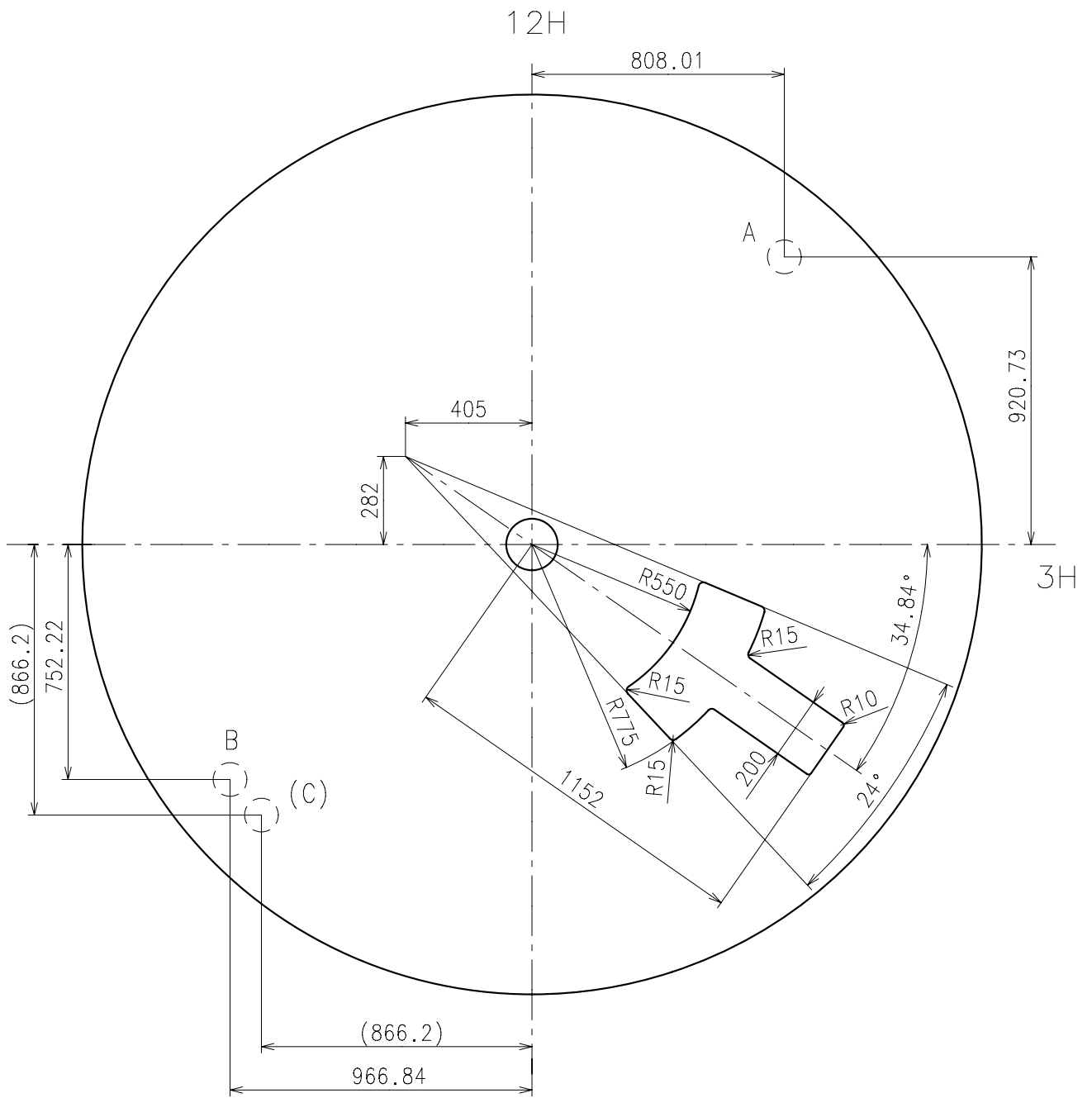


* Use dial leg A-B or (A-C)

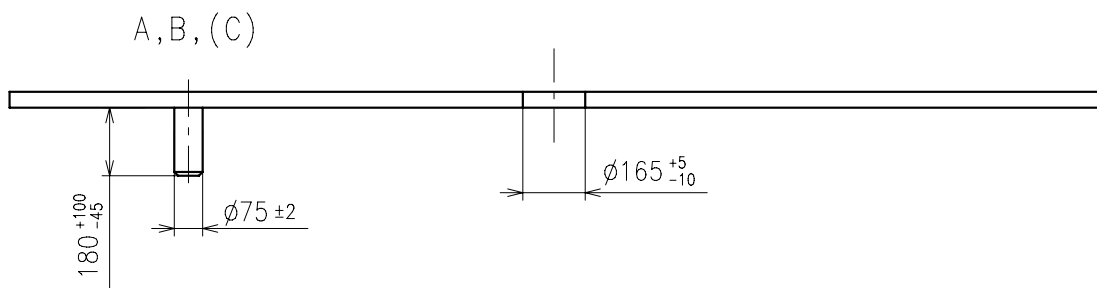
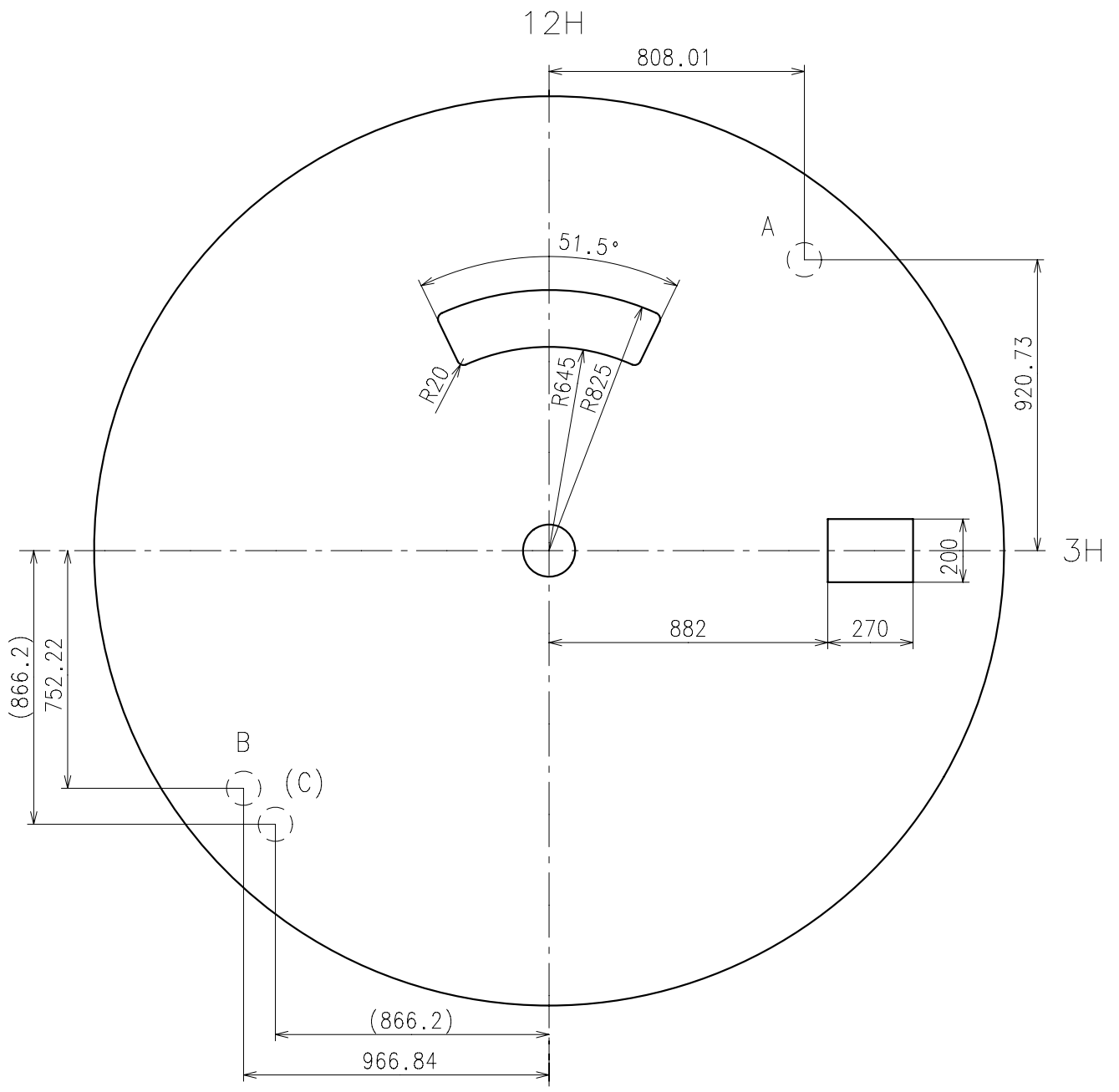
Name	X	Y
P1	3260.52	- 656.53
P2	1980.47	113.66
P3	634.97	141.44
P4	608.26	- 379.88
P5	569.91	- 442.96
P6	537.30	- 26.94
P7	519.78	- 35.83
P8	145.88	- 486.65
P9	- 16.06	- 41.59
P10	- 16.33	163.41
P11	- 247.31	- 181.04
P12	- 445.81	- 696.11



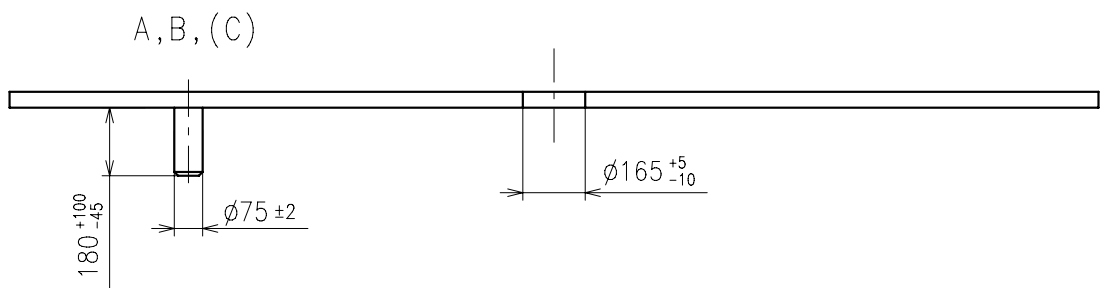
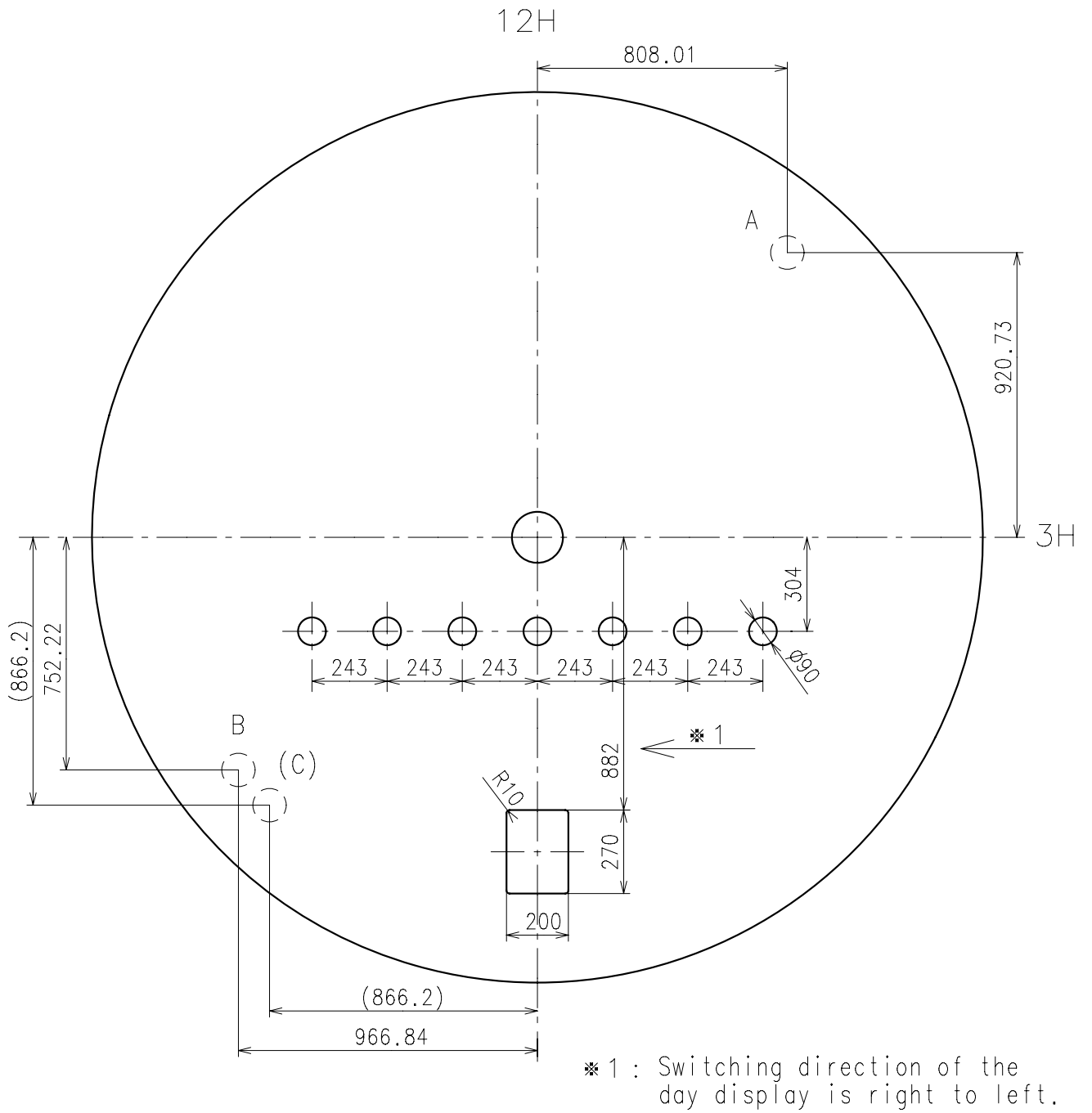
* Use dial leg A-B or (A-C)



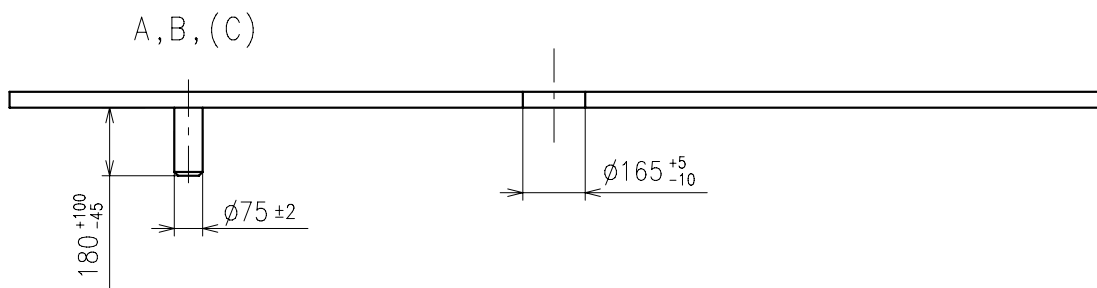
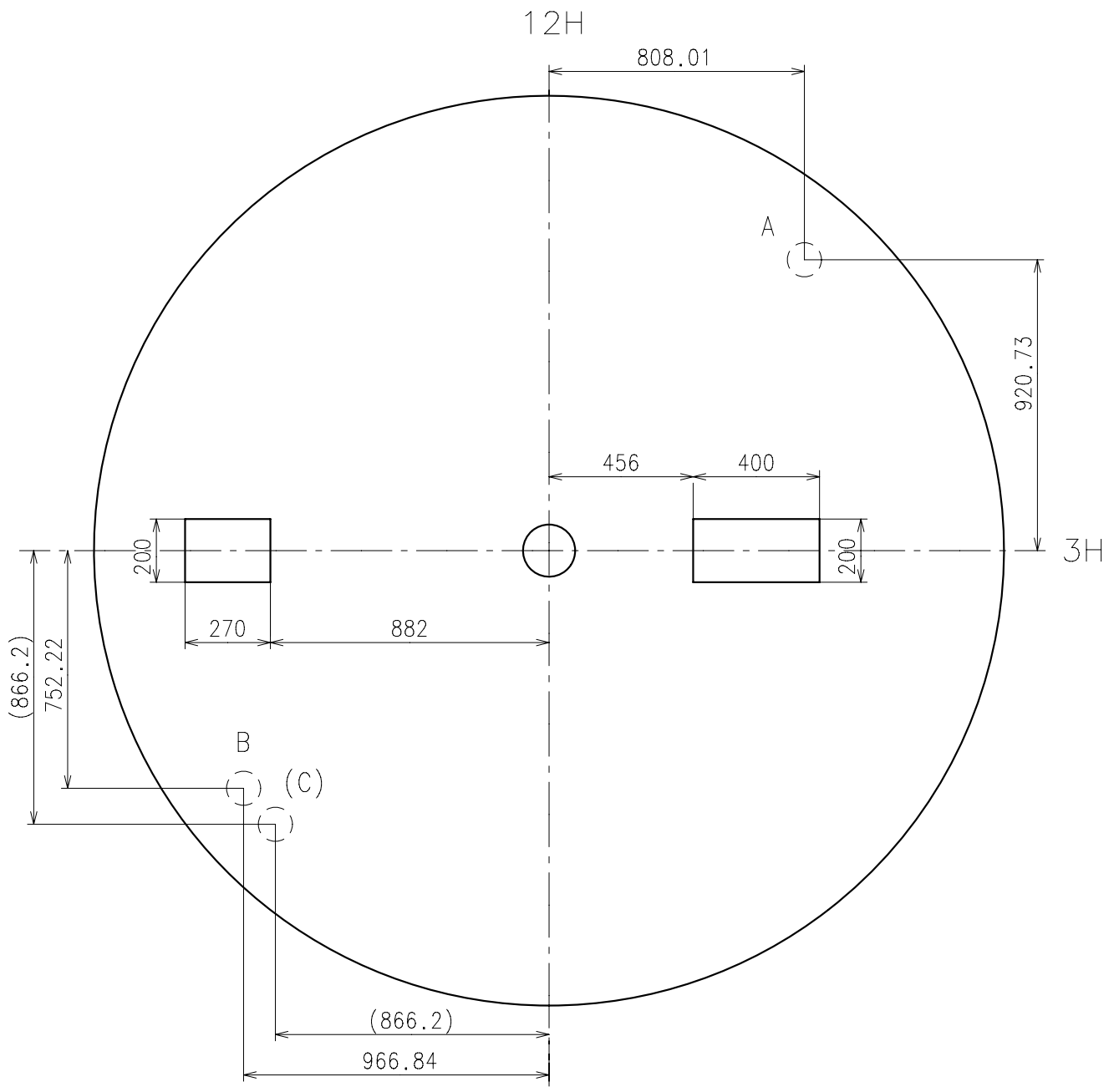
* Use dial leg A-B or (A-C)



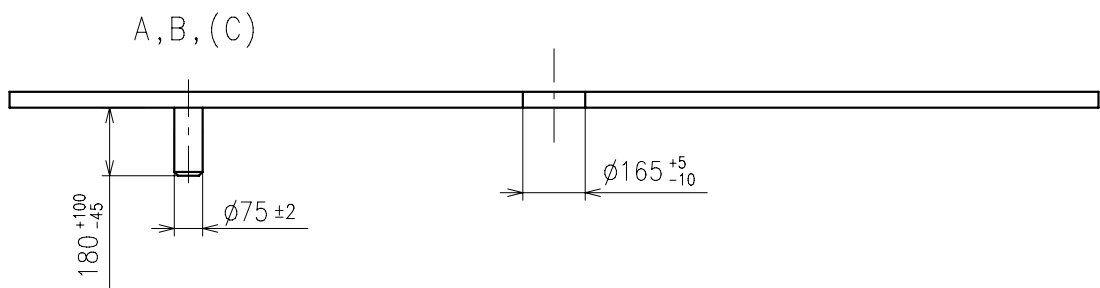
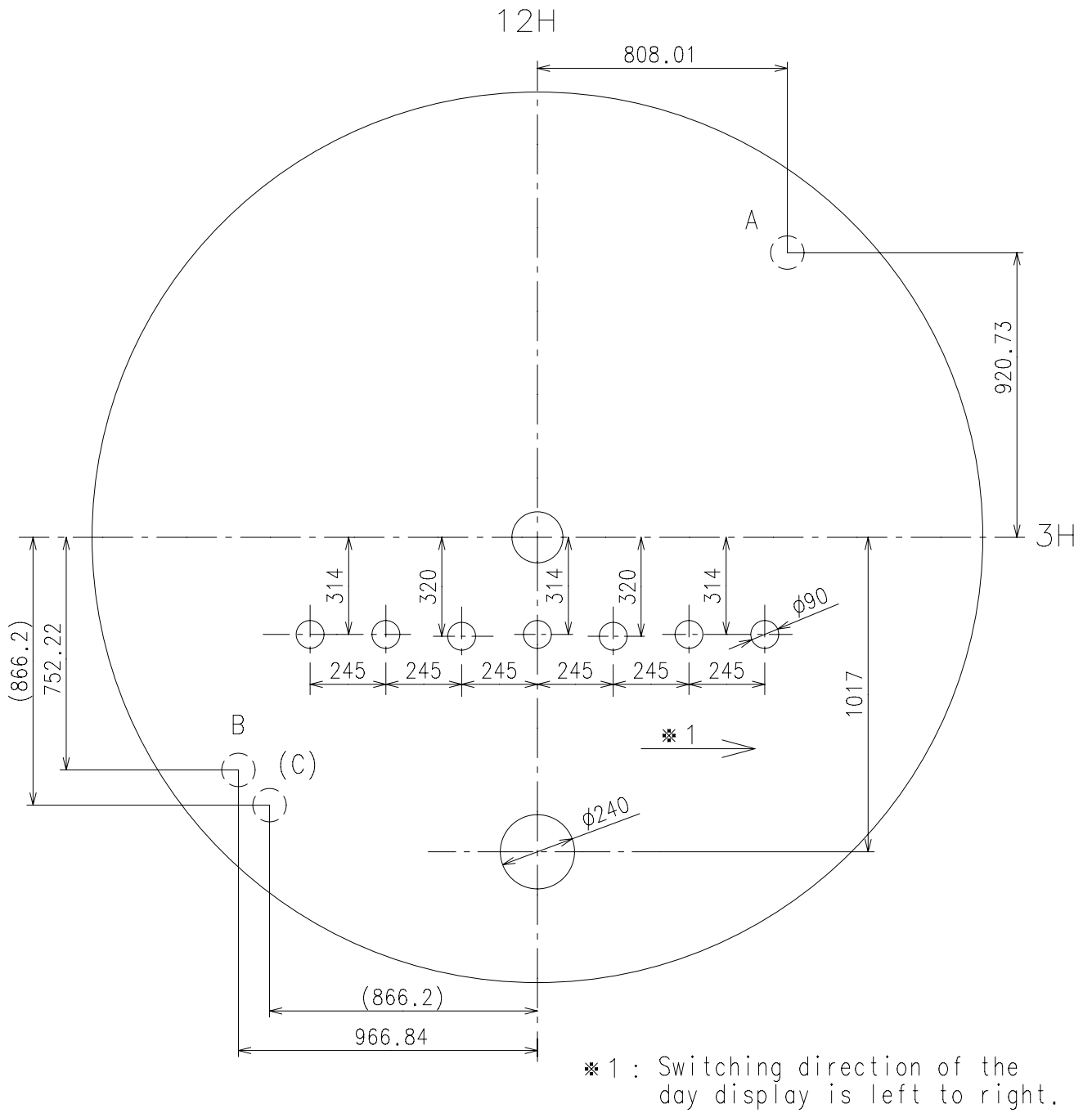
* Use dial leg A-B or (A-C)



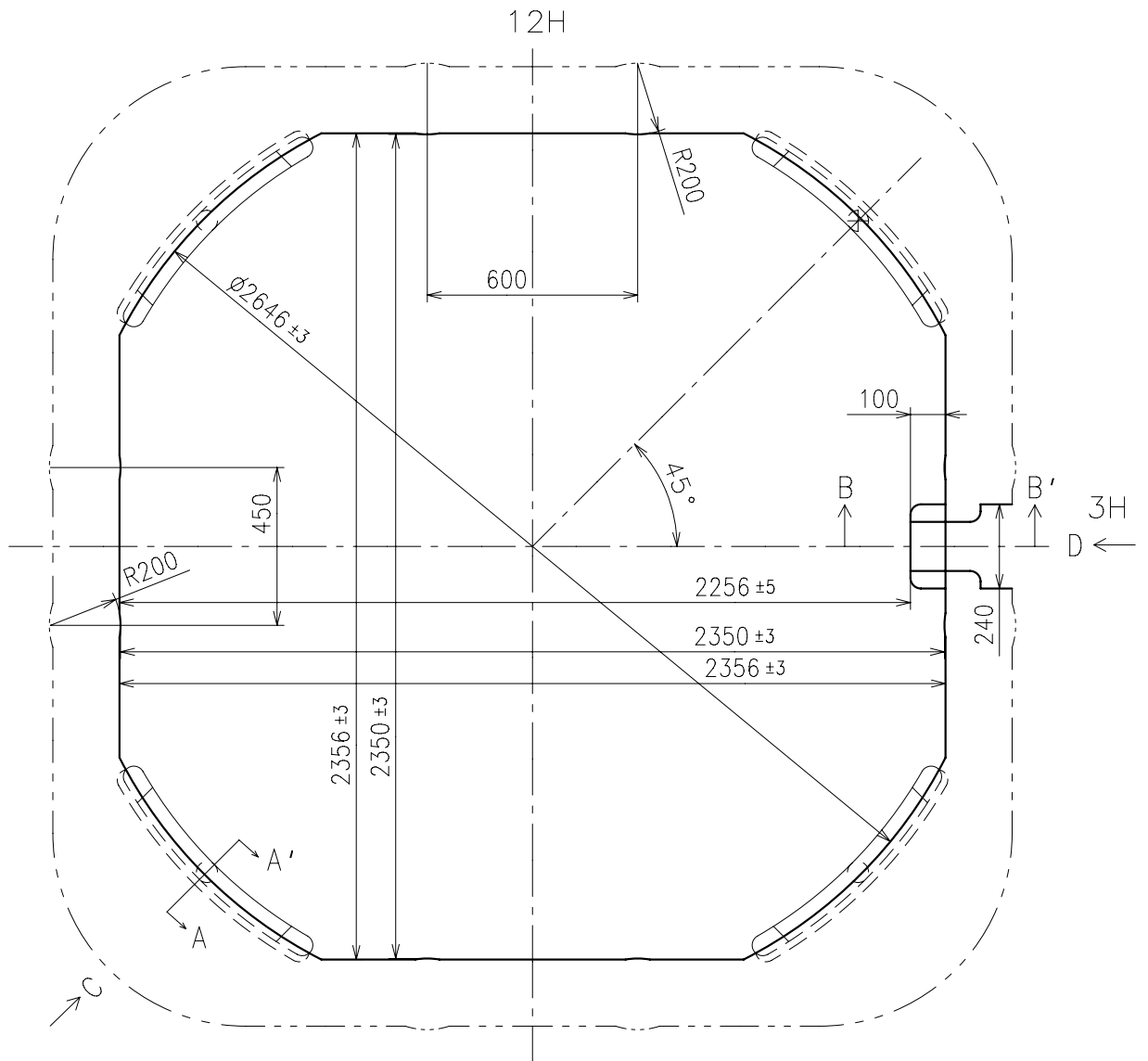
* Use dial leg A-B or (A-C)



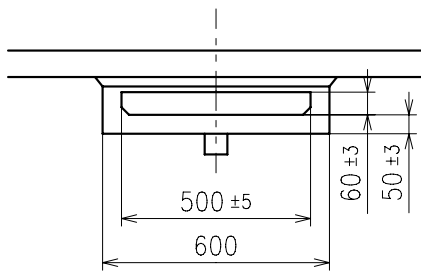
* Use dial leg A-B or (A-C)



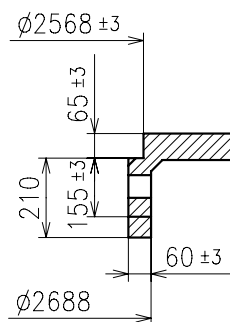
* Use dial leg A-B or (A-C)



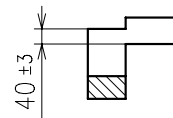
C view



A-A' section



B-B' section



D view

